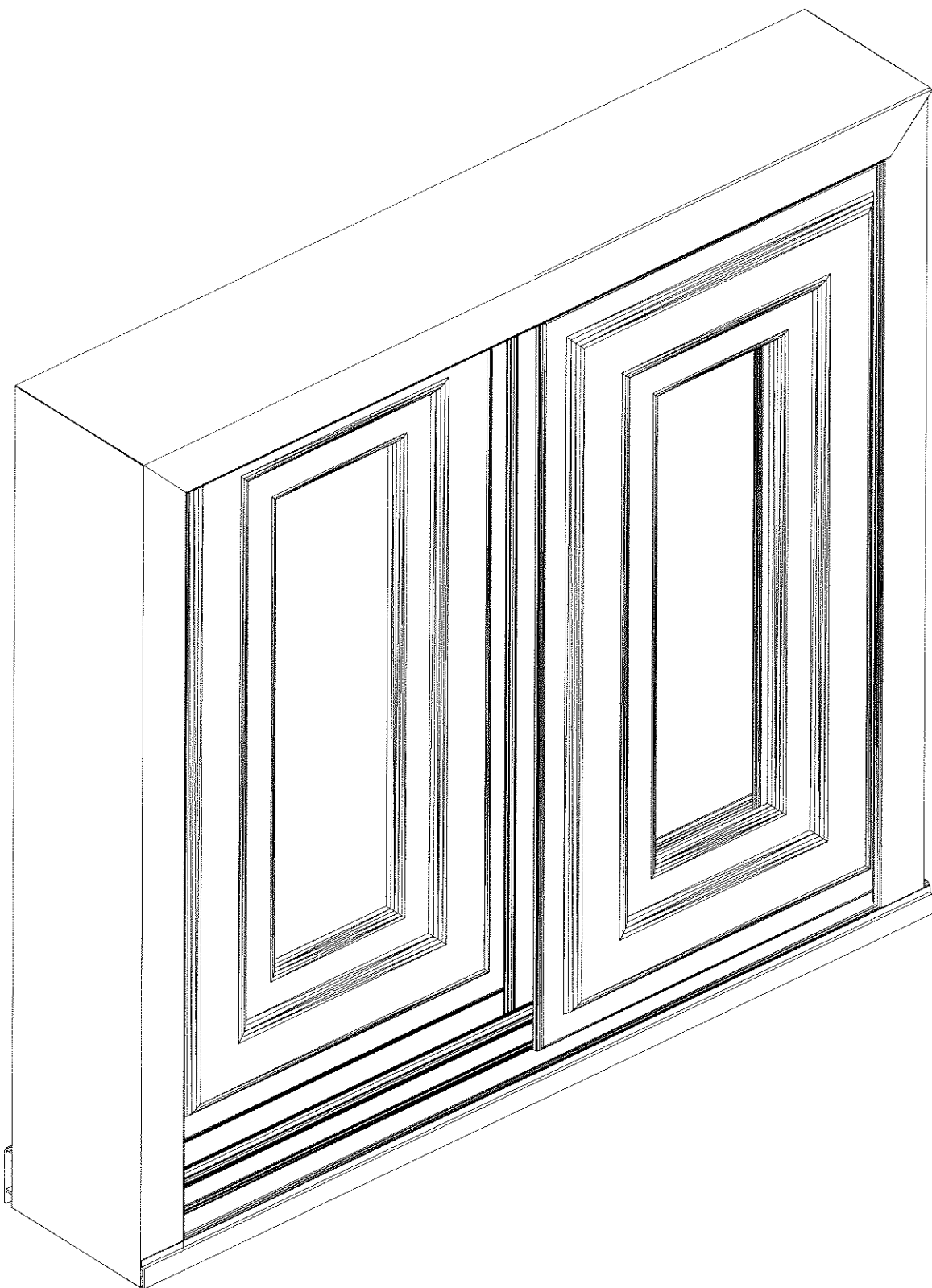


LA FINESTRA, LC

SERIES EKU-9000 SLIDING GLASS DOOR

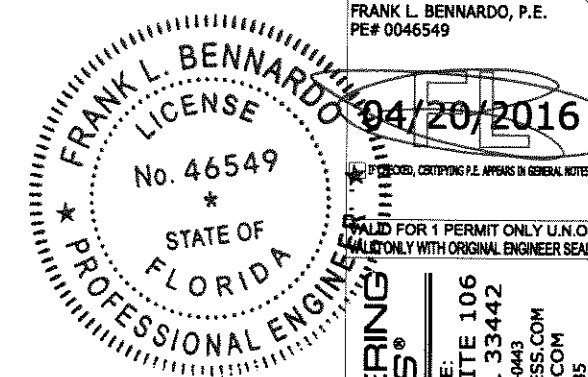
LARGE AND SMALL MISSILE IMPACT RESISTANT



SHEET INDEX	
# SHEET	DESCRIPTION
1	COVER SHEET
2	ELEVATION
3-5	LOADING TABLES
6	ANCHOR LAYOUTS
7	GLASS TYPES
8	2 TRACK SECTIONS
9	3 TRACK SECTIONS
10	4 TRACK SECTIONS
11	2,3 & 4 TRACK SECTIONS
12-14	2 TRACK ANCHORING
15-17	3 TRACK ANCHORING
18-21	4 TRACK ANCHORING
22	TRACK CONFIGURATIONS
23	FRAME ASSEMBLY
24-27	EXTRUSIONS
28	BILL OF MATERIALS
28	TOTAL

GENERAL NOTES

1. THE SYSTEM DESCRIBED HEREIN HAS BEEN DESIGNED AND TESTED IN ACCORDANCE WITH THE FLORIDA BUILDING CODE, FOR USE WITHIN AND OUTSIDE THE HIGH VELOCITY HURRICANE ZONE, PER ASTM E1300-04 & TAS 201/202/203 STANDARDS AS QUALIFIED IN TEST REPORTS HETI-15-5044, HETI-14-5050, HETI-14-5042, HETI-15-5046, HETI-15-5120, HETI-15-5121, HETI-15-5128 & HETI-15-5129 BY HURRICANE ENGINEERING & TESTING INC.
2. NO 33-1/3% INCREASE IN ALLOWABLE STRESS HAS BEEN USED IN THE DESIGN OF THIS SYSTEM. WIND LOAD DURATION FACTOR $C_d=1.6$ HAS BEEN USED FOR WOOD ANCHOR DESIGN.
3. POSITIVE AND NEGATIVE DESIGN PRESSURES CALCULATED FOR USE WITH THIS SYSTEM SHALL BE DETERMINED BY OTHERS ON A JOB-SPECIFIC BASIS IN ACCORDANCE WITH THE GOVERNING CODE. SITE SPECIFIC WIND LOAD REQUIREMENTS SHALL BE DETERMINED IN ACCORDANCE WITH ASCE 7-10 AND THE FLORIDA BUILDING CODE BY SEPARATE ENGINEERING CERTIFICATION AND SHALL BE LESS THAN OR EQUAL TO THE POSITIVE OR NEGATIVE DESIGN PRESSURE CAPACITY VALUE LISTED HEREIN FOR ANY ASSEMBLY WITHIN THE LIMITATIONS STATED HEREIN.
4. THE SYSTEM DETAILED HEREIN IS GENERIC AND DOES NOT PROVIDE INFORMATION FOR A SPECIFIC SITE. FOR SITE CONDITIONS DIFFERENT FROM THE CONDITIONS DETAILED HEREIN, A LICENSED ENGINEER OR REGISTERED ARCHITECT SHALL PREPARE SITE SPECIFIC DOCUMENTS FOR USE IN CONJUNCTION WITH THIS DOCUMENT.
5. PERMIT HOLDER SHALL VERIFY THE ADEQUACY OF THE EXISTING STRUCTURE TO WITHSTAND SUPERIMPOSED LOADS. WOOD BUCKS (BY OTHERS) SHALL BE ANCHORED PROPERLY TO TRANSFER LOADS TO THE EXISTING STRUCTURE.
6. MULTIPLE UNITS MUST BE INSTALLED USING STRUCTURAL MULLIONS APPROVED BY OTHERS OR UNDER SEPARATE CERTIFICATION.
7. ALL EXTRUSIONS SHALL BE 6063-T5 ALUMINUM ALLOY, UNLESS NOTED OTHERWISE.
8. EXTERIOR SEAM OF FRAME CORNERS SHALL BE SEALED WITH PECORA 895 SEALANT.
9. ALL FASTENERS & WASHERS SHALL BE ZINC COATED STEEL, GALVANIZED STEEL, OR STAINLESS STEEL WITH A MINIMUM ULTIMATE TENSILE STRENGTH $F_u=74$ KSI, UNLESS NOTED OTHERWISE. ULTRACONS AND DRIL-FLEX FASTENERS REFERENCED HEREIN SHALL BE BY ELCO CONSTRUCTION PRODUCTS WITH A MINIMUM ULTIMATE TENSILE STRENGTH OF $F_u=177$ KSI & $F_u=120$ KSI, RESPECTIVELY.
10. ALL DISSIMILAR MATERIALS SHALL BE PAINTED OR PLATED TO PREVENT CORROSION OR ELECTROLYSIS.
11. GLAZING ILLUSTRATED HEREIN UTILIZES SENTRYGLAS INTERLAYER BY KURARAY AMERICA INC. (NOA# 14-0916.11).
12. THIS PRODUCT IS APPROVED FOR LARGE MISSILE & SMALL MISSILE IMPACT APPLICATIONS. SEE GLASS TYPES FOR ANY RESTRICTIONS.
13. MEANS OF EGRESS AND SAFEGUARD REQUIREMENTS ARE NOT ADDRESSED IN THIS APPROVAL AND SHALL BE CERTIFIED BY OTHERS.
14. ENGINEER SEAL AFFIXED HERE TO VALIDATES STRUCTURAL DESIGN AS SHOWN ONLY. USE OF THIS SPECIFICATION BY CONTRACTOR, et. al. INDEMNIFIES & SAVES HARMLESS THIS ENGINEER FOR ALL COST & DAMAGES INCLUDING LEGAL FEES & APPELLATE FEES RESULTING FROM MATERIAL FABRICATION, SYSTEM ERECTION, & CONSTRUCTION PRACTICES BEYOND THAT WHICH IS CALLED FOR BY LOCAL, STATE, & FEDERAL CODES & FROM DEVIATIONS OF THIS PLAN.
15. EXCEPT AS EXPRESSLY PROVIDED HEREIN, NO ADDITIONAL CERTIFICATIONS OR AFFIRMATIONS ARE INTENDED.
16. ALTERATIONS, ADDITIONS, OR OTHER MARKINGS TO THIS DOCUMENT ARE NOT PERMITTED AND INVALIDATE THIS CERTIFICATION.



ENGINEERING EXPRESS®
 CORPORATE OFFICE:
 160 SW 12th AVE, SUITE 106
 DEERFIELD BEACH, FL 33442
 P: (954) 354-0660 F: (954) 354-0443
 E: HELLO@ENGINEERINGEXPRESS.COM
 ENGINEERINGEXPRESS.COM
 CERT OF AUTH #9885

LA FINESTRA, LC
 2790 NW 104TH COURT
 DORAL, FL
 (305) 599-8093

FLORIDA PRODUCT APPROVAL (2) DOORS
 2790 NW 104TH COURT, MIAMI, FL
 FBC 5TH EDITION (2014) PRODUCT APPROVAL #, FL

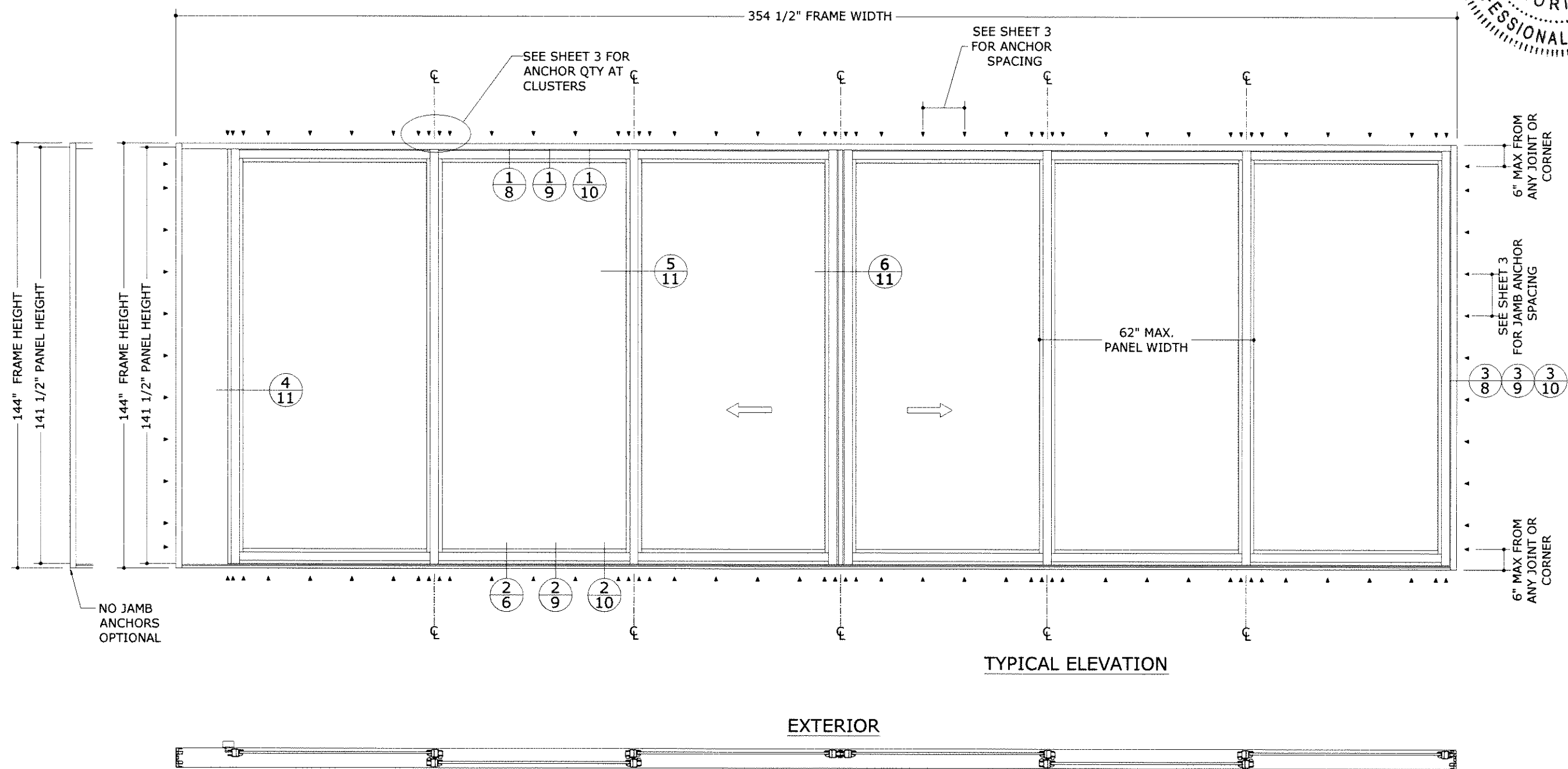
REMARKS	INIT ISSUE	REV. 3	DRWN		CHKD		DATE	
			JEM	AJP	JEM	FLB	12/18/15	04/20/16

THIS DOCUMENT IS THE PROPERTY OF ENGINEERING EXPRESS, AND SHALL NOT BE REPRODUCED IN WHOLE OR PART WITHOUT WRITTEN CONSENT OF ENGINEERING EXPRESS. ALTERATIONS, ADDITIONS, OR OTHER MARKINGS TO THIS DOCUMENT ARE NOT PERMITTED AND INVALIDATE OUR CERTIFICATION.

COPYRIGHT ENGINEERING EXPRESS®
15-2257
 SCALE: N.T.S.

FL #17726.1 R3

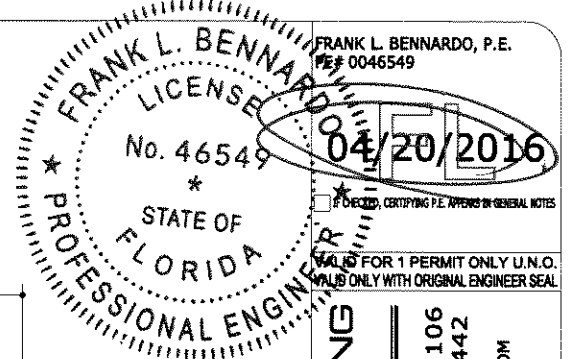
V:\Projects\15-2257 Florida Product Approval (2) Doors\Sliding Glass Door 2nd Submittal\Drawings\Product Approval - 2nd Submittal.dwg joem 04/20/2016 - 6:11pm



TYPICAL ELEVATION

PLAN VIEW

▲ ANCHOR LOCATIONS SEE PAGES 3, 4 & 5 FOR SPACING AND QUANTITIES



ENGINEERING EXPRESS
 CORPORATE OFFICE:
 160 SW 12th AVE, SUITE 106
 DEERFIELD BEACH, FL 33442
 P: (954) 354-0660 F: (954) 354-0443
 E: HELLO@ENGINEERINGEXPRESS.COM
 ENGINEERINGEXPRESS.COM
 CERT OF AUTH #9885

LA FINESTRA, LC
 2790 NW 104TH COURT
 DORAL, FL
 (305) 599-8093
 FLORIDA PRODUCT APPROVAL (2) DOORS
 2790 NW 104TH COURT, MIAMI, FL
 FBC 5TH EDITION (2014) PRODUCT APPROVAL #, FL

REMARKS	INIT	ISSUE	DRWN	CHKD	DATE
	JEM	AJP			12/18/15

THIS DOCUMENT IS THE PROPERTY OF ENGINEERING EXPRESS AND SHALL NOT BE REPRODUCED IN WHOLE OR PART WITHOUT WRITTEN CONSENT OF ENGINEERING EXPRESS. ALTERATIONS, ADDITIONS, OR OTHER MARKINGS TO THIS DOCUMENT ARE NOT PERMITTED AND INVALIDATE OUR CERTIFICATION.

COPYRIGHT ENGINEERING EXPRESS ©
15-2257
 SCALE: N.T.S.

C:\Users\joem\appdata\local\temp\AcPublish_1004415-2257_02c Product approval - 2nd submittal.dwg joem 04/20/2016 - 4:41 pm

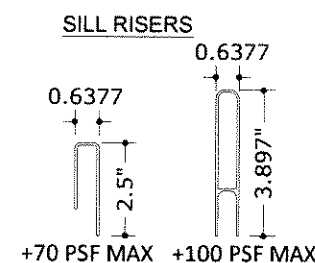
LOADING & ANCHOR CAPACITY (PSF)						
NOMINAL DIMS				REQ'D ANCHORS AT CLUSTERS ON EACH SIDE OF VERTICAL		
PANEL WIDTH	PANEL HEIGHT	(+) P.S.F	(-) P.S.F	WOOD (WA)	CONC. (CA)	METAL (MA)
24"	80"	100	135	3	2	2
30"		100	135	3	2	2
36"		100	135	4	2	2
42"		100	135	4	2	3
48"		100	135	4	2	3
52"		100	135	5	2	3
60"		100	135	5	2	3
66"		-	-	-	-	-
72"	-	-	-	-	-	-
24"	84"	100	135	3	2	2
30"		100	135	3	2	2
36"		100	135	4	2	2
42"		100	135	4	2	3
48"		100	135	5	2	3
52"		100	135	5	2	3
60"		100	135	5	2	3
66"		-	-	-	-	-
72"	-	-	-	-	-	-
24"	88"	100	135	3	2	2
30"		100	135	4	2	2
36"		100	135	4	2	3
42"		100	135	5	2	3
48"		100	135	5	2	3
52"		100	135	5	2	3
60"		100	135	6	3	3
66"		-	-	-	-	-
72"	-	-	-	-	-	-
24"	92"	100	135	3	2	2
30"		100	135	4	2	2
36"		100	135	4	2	3
42"		100	135	5	2	3
48"		100	135	5	2	3
52"		100	135	6	3	3
60"		100	135	6	3	4
66"		-	-	-	-	-
72"	-	-	-	-	-	-
24"	96"	100	135	3	2	2
30"		100	135	4	2	2
36"		100	135	5	2	3
42"		100	135	5	2	3
48"		100	135*	5	3	3
52"		100	135*	6	3	4
60"		70	80	6	3	4
66"		-	-	-	-	-
72"	-	-	-	-	-	-
24"	100"	70	80	2	2	2
30"		70	80	3	2	2
36"		70	80	3	2	2
42"		70	80	3	2	2
48"		70	80	4	2	2
52"		70	80	4	2	2
60"		70	80	4	2	3
66"		-	-	-	-	-
72"	-	-	-	-	-	-

LOADING & ANCHOR CAPACITY (PSF)						
NOMINAL DIMS				REQ'D ANCHORS AT CLUSTERS ON EACH SIDE OF VERTICAL		
PANEL WIDTH	PANEL HEIGHT	(+) P.S.F	(-) P.S.F	WOOD (WA)	CONC. (CA)	METAL (MA)
24"	104"	70	80	2	2	2
30"		70	80	3	2	2
36"		70	80	3	2	2
42"		70	80	3	2	2
48"		70	80	4	2	2
52"		70	80	4	2	2
60"		70	80	4	2	3
66"		-	-	-	-	-
72"	-	-	-	-	-	-
24"	108"	70	80	2	2	2
30"		70	80	3	2	2
36"		70	80	3	2	2
42"		70	80	4	2	2
48"		70	80	4	2	2
52"		70	80	4	2	3
60"		70	80	5	2	3
66"		-	-	-	-	-
72"	-	-	-	-	-	-
24"	112"	70	80	3	2	2
30"		70	80	3	2	2
36"		70	80	3	2	2
42"		70	80	4	2	2
48"		70	80	4	2	3
52"		70	80	4	2	3
60"		70	80	5	2	3
66"		-	-	-	-	-
72"	-	-	-	-	-	-
24"	116"	70	80	3	2	2
30"		70	80	3	2	2
36"		70	80	4	2	2
42"		70	80	4	2	2
48"		70	80	4	2	3
52"		70	80	5	2	3
60"		70	80	5	2	3
66"		-	-	-	-	-
72"	-	-	-	-	-	-
24"	119 1/4"	70	80	3	2	2
30"		70	80	3	2	2
36"		70	80	4	2	2
42"		70	80	4	2	2
48"		70	80	4	2	3
52"		70	80	5	2	3
60"		70	80	5	2	3
66"		-	-	-	-	-
72"	-	-	-	-	-	-

REQ'D MAX SPACING BETWEEN CLUSTERS (HEAD/SILL)			
PRESSURES	WOOD (WA)	CONC. (CA)	METAL (MA)
UP TO 80 PSF	12"	12"	12"
80 PSF TO 135 PSF	9"	10"	10"

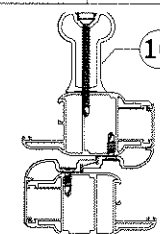
REQ'D MAX SPACING AT JAMBS			
ALL SIZES	WOOD (WA)	CONC. (CA)	METAL (MA)
	6"	12"	12"

REQ'D MAX SPACING FOR POCKET HOOK STRIP ANCHORS			
ALL SIZES	WOOD (WA)	CONC. (CA)	METAL (MA)
	6"	6"	6"

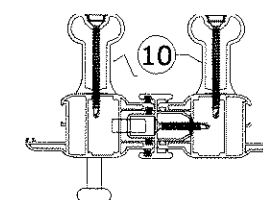


* LIMITED TO 120 PSF WHEN ANCHORING IS THRU THRESHOLD RISER AREA

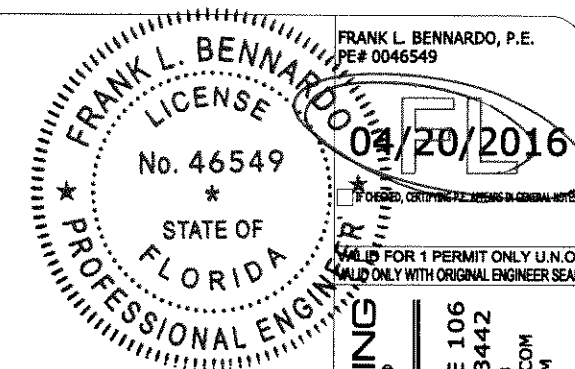
NOTE: SIZES ON CHARTS ARE PANEL DIMENSIONS ADD 2 1/4" TO HEIGHT OF PANEL FOR OVERALL FRAME HEIGHT



REINFORCEMENT 1 AT INTERLOCK



REINFORCEMENT 1 AT MEETING STILES



ENGINEERING EXPRESS
 CORPORATE OFFICE:
 160 SW 12th AVE, SUITE 106
 DEERFIELD BEACH, FL 33442
 P: (954) 354-0660 F: (954) 354-0443
 E: HELLO@ENGINEERINGEXPRESS.COM
 ENGINEERINGEXPRESS.COM
 CERT OF AUTH #9885

LA FINESTRA, LC
 2790 NW 104TH COURT
 DORAL, FL
 (305) 599-8093

FLORIDA PRODUCT APPROVAL (2) DOORS
 2790 NW 104TH COURT, MIAMI, FL
 FBC 5TH EDITION (2014) PRODUCT APPROVAL #, FL

DRWN	CHKD	DATE
JEM	AJP	12/16/15

REMARKS
 INIT ISSUE

THIS DOCUMENT IS THE PROPERTY OF ENGINEERING EXPRESS, AND SHALL NOT BE REPRODUCED IN WHOLE OR PART WITHOUT WRITTEN CONSENT OF ENGINEERING EXPRESS. ALTERATIONS, ADDITIONS, OR OTHER MARKINGS TO THIS DOCUMENT ARE NOT PERMITTED AND INVALIDATE OUR CERTIFICATION.

COPYRIGHT ENGINEERING EXPRESS ©

15-2257

SCALE: N.T.S.

C:\Users\joem\appdata\local\temp\AcPublish_10044115-2257_02c Product approval - 2nd submittal.dwg joem 04/20/2016 - 4:41pm

LOADING & ANCHOR CAPACITY (PSF)						
NOMINAL DIMS		REQ'D ANCHORS AT CLUSTERS ON EACH SIDE OF VERTICAL				
PANEL WIDTH	PANEL HEIGHT	(+) P.S.F	(-) P.S.F	WOOD (WA)	CONC. (CA)	METAL (MA)
24"	80"	75	75	2	2	2
30"		75	75	2	2	2
36"		75	75	2	2	2
42"		75	75	2	2	2
48"		75	75	3	2	2
52"		75	75	3	2	2
60"		-	-	-	-	-
66"		-	-	-	-	-
72"	-	-	-	-	-	
24"	84"	75	75	2	2	2
30"		75	75	2	2	2
36"		75	75	2	2	2
42"		75	75	3	2	2
48"		75	75	3	2	2
52"		75	75	3	2	2
60"		-	-	-	-	-
66"		-	-	-	-	-
72"	-	-	-	-	-	
24"	88"	75	75	2	2	2
30"		75	75	2	2	2
36"		75	75	3	2	2
42"		75	75	3	2	2
48"		75	75	3	2	2
52"		75	75	3	2	2
60"		-	-	-	-	-
66"		-	-	-	-	-
72"	-	-	-	-	-	
24"	92"	75	75	2	2	2
30"		75	75	2	2	2
36"		75	75	3	2	2
42"		75	75	3	2	2
48"		75	75	3	2	2
52"		75	75	3	2	2
60"		-	-	-	-	-
66"		-	-	-	-	-
72"	-	-	-	-	-	
24"	96"	75	75	2	2	2
30"		75	75	2	2	2
36"		75	75	3	2	2
42"		75	75	3	2	2
48"		75	75	3	2	2
52"		75	75	3	2	2
60"		-	-	-	-	-
66"		-	-	-	-	-
72"	-	-	-	-	-	
24"	100"	75	75	2	2	2
30"		75	75	3	2	2
36"		75	75	3	2	2
42"		75	75	3	2	2
48"		75	75	3	2	2
52"		75	75	4	2	2
60"		-	-	-	-	-
66"		-	-	-	-	-
72"	-	-	-	-	-	

LOADING & ANCHOR CAPACITY (PSF)						
NOMINAL DIMS		REQ'D ANCHORS AT CLUSTERS ON EACH SIDE OF VERTICAL				
PANEL WIDTH	PANEL HEIGHT	(+) P.S.F	(-) P.S.F	WOOD (WA)	CONC. (CA)	METAL (MA)
24"	104"	75	75	2	2	2
30"		75	75	3	2	2
36"		75	75	3	2	2
42"		75	75	3	2	2
48"		75	75	4	2	2
52"		75	75	4	2	2
60"		-	-	-	-	-
66"		-	-	-	-	-
72"	-	-	-	-	-	
24"	108"	75	75	2	2	2
30"		75	75	3	2	2
36"		75	75	3	2	2
42"		75	75	3	2	2
48"		75	75	4	2	2
52"		75	75	4	2	2
60"		-	-	-	-	-
66"		-	-	-	-	-
72"	-	-	-	-	-	
24"	112"	75	75	2	2	2
30"		75	75	3	2	2
36"		75	75	3	2	2
42"		75	75	4	2	2
48"		75	75	4	2	2
52"		75	75	4	2	3
60"		-	-	-	-	-
66"		-	-	-	-	-
72"	-	-	-	-	-	
24"	116"	75	75	3	2	2
30"		75	75	3	2	2
36"		75	75	3	2	2
42"		75	75	4	2	2
48"		75	75	4	2	2
52"		75	75	4	2	3
60"		-	-	-	-	-
66"		-	-	-	-	-
72"	-	-	-	-	-	
24"	119 1/4"	75	75	3	2	2
30"		75	75	3	2	2
36"		75	75	3	2	2
42"		75	75	4	2	2
48"		75	75	4	2	3
52"		75	75	4	2	3
60"		-	-	-	-	-
66"		-	-	-	-	-
72"	-	-	-	-	-	

REQ'D MAX SPACING BETWEEN CLUSTERS (HEAD/SILL)

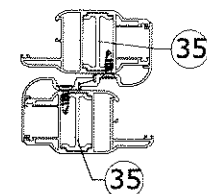
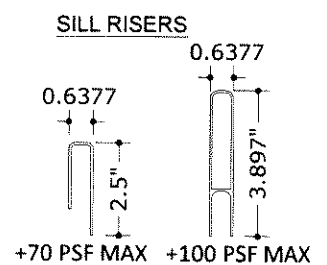
PRESSURES	WOOD (WA)	CONC. (CA)	METAL (MA)
UP TO 80 PSF	12"	12"	12"
80 PSF TO 135 PSF	9"	10"	10"

REQ'D MAX SPACING AT JAMBS

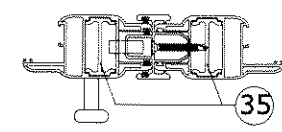
ALL SIZES	WOOD (WA)	CONC. (CA)	METAL (MA)
	6"	12"	12"

REQ'D MAX SPACING FOR POCKET HOOK STRIP ANCHORS

ALL SIZES	WOOD (WA)	CONC. (CA)	METAL (MA)
	6"	6"	6"

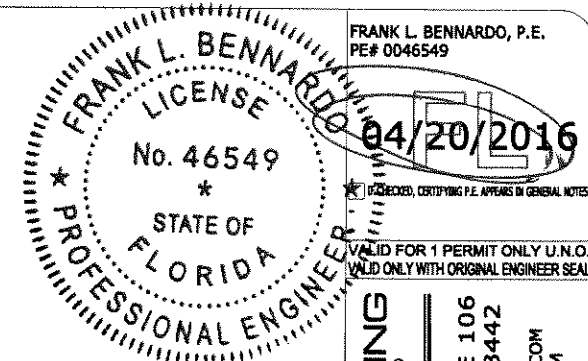


REINFORCEMENT 2 AT INTERLOCK



REINFORCEMENT 2 AT MEETING STILES

NOTE: SIZES ON CHARTS ARE PANEL DIMENSIONS ADD 2 1/4" TO HEIGHT OF PANEL FOR OVERALL FRAME HEIGHT



FRANK L. BENNARDO, P.E.
PE# 0046549

VALID FOR 1 PERMIT ONLY U.N.O.
VALID ONLY WITH ORIGINAL ENGINEER SEAL

ENGINEERING EXPRESS
CORPORATE OFFICE:
160 SW 12th AVE, SUITE 106
DEERFIELD BEACH, FL 33442
P: (954) 354-0660 F: (954) 354-0443
E: HELLO@ENGINEERINGEXPRESS.COM
ENGINEERINGEXPRESS.COM
CERT OF AUTH #9885

LA FINESTRA, LC
2790 NW 104TH COURT
DORAL, FL
(305) 599-8093

FLORIDA PRODUCT APPROVAL (2) DOORS
2790 NW 104TH COURT, MIAMI, FL
FBC 5TH EDITION (2014) PRODUCT APPROVAL #, FL

REMARKS	DRWN	CHKD	DATE
INIT ISSUE	JEM	AJP	12/16/15

THIS DOCUMENT IS THE PROPERTY OF ENGINEERING EXPRESS, AND SHALL NOT BE REPRODUCED IN WHOLE OR PART WITHOUT WRITTEN CONSENT OF ENGINEERING EXPRESS. ALTERATIONS, ADDITIONS, OR OTHER MARKINGS TO THIS DOCUMENT ARE NOT PERMITTED AND INVALIDATE OUR CERTIFICATION.

COPYRIGHT ENGINEERING EXPRESS®

15-2257

SCALE: N.T.S.

4

04/20/2016 - 5:32pm joem V:\Projects\15-2257 Florida Product Approval (2) Doors\Sliding Glass Door 2nd Submittal\Drawings\Products\approval - 2nd submittal.dwg

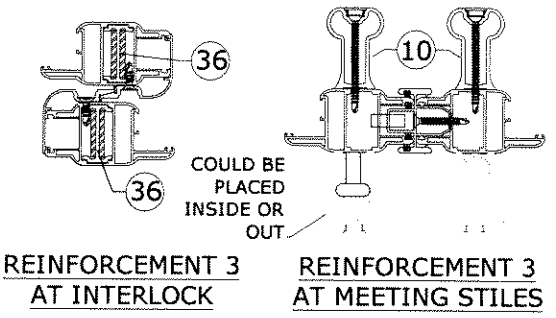
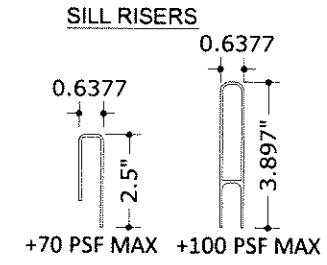
LOADING & ANCHOR CAPACITY (PSF)							LOADING & ANCHOR CAPACITY (PSF)						
NOMINAL DIMS		REQ'D ANCHORS AT CLUSTERS ON EACH SIDE OF VERTICAL			NOMINAL DIMS		REQ'D ANCHORS AT CLUSTERS ON EACH SIDE OF VERTICAL						
PANEL WIDTH	PANEL HEIGHT	(+) P.S.F	(-) P.S.F	WOOD (WA)	CONC. (CA)	METAL (MA)	PANEL WIDTH	PANEL HEIGHT	(+) P.S.F	(-) P.S.F	WOOD (WA)	CONC. (CA)	METAL (MA)
24"	80"	70	100	2	2	2	24"	104"	70	100	3	2	2
30"		70	100	3	2	2	30"		70	100	3	2	2
36"		70	100	3	2	2	36"		70	100	4	2	2
42"		70	100	3	2	2	42"		70	100	4	2	3
48"		70	100	3	2	2	48"		70	100	5	2	3
52"		70	95	3	2	2	52"		70	95	5	2	3
62"		69	79	3	2	2	62"		70	80	4	2	3
66"		65	75	3	2	2	66"		65	75	4	2	2
72"		60	68	3	2	2	72"		60	68	4	2	2
24"		84"	70	100	2	2	2		24"	108"	70	100	3
30"	70		100	3	2	2	30"	70	100		3	2	3
36"	70		100	3	2	2	36"	70	100		4	2	3
42"	70		100	3	2	2	42"	70	100		4	2	3
48"	70		100	4	2	2	48"	70	100		5	2	3
52"	70		95	4	2	2	52"	70	95		5	2	3
62"	69		79	3	2	2	62"	70	80		5	2	3
66"	65		75	3	2	2	66"	65	75		4	2	3
72"	60		68	3	2	2	72"	60	68		4	2	3
24"	88"		70	100	2	2	2	24"	112"		70	100	3
30"		70	100	3	2	2	30"	70		100	4	2	2
36"		70	100	3	2	2	36"	70		100	4	2	3
42"		70	100	4	2	2	42"	70		100	5	2	3
48"		70	100	4	2	2	48"	70		100	5	2	3
52"		70	95	4	2	2	52"	70		95	5	2	3
62"		70	80	4	2	2	62"	69		79	5	2	3
66"		65	75	3	2	2	66"	65		75	5	2	3
72"		60	68	3	2	2	72"	60		68	4	2	3
24"		92"	70	100	3	2	2	24"		116"	70	100	3
30"	70		100	3	2	2	30"	70	100		4	2	2
36"	70		100	3	2	2	36"	70	100		4	2	3
42"	70		100	4	2	2	42"	70	100		5	2	3
48"	70		100	4	2	2	48"	70	100		5	2	3
52"	70		95	4	2	2	52"	70	95		5	2	3
62"	70		80	4	2	2	62"	70	80		5	2	3
66"	65		75	4	2	2	66"	65	75		5	2	3
72"	60		68	3	2	2	72"	60	68		5	2	3
24"	96"		70	100	3	2	2	24"	119 1/4"		70	100	3
30"		70	100	3	2	2	30"	70		100	4	2	2
36"		70	100	4	2	2	36"	70		100	4	2	3
42"		70	100	4	2	2	42"	70		100	5	2	3
48"		70	100	4	2	3	48"	70		100	5	3	3
52"		70	95	4	2	3	52"	70		95	5	3	3
62"		70	80	4	2	2	62"	70		80	5	2	3
66"		65	75	4	2	2	66"	65		75	5	2	3
72"		60	68	4	2	2	72"	60		68	5	2	3
24"		100"	70	100	3	2	2	24"		126	70	100	3
30"	70		100	3	2	2	30"	70	100		4	2	2
36"	70		100	4	2	2	36"	70	100		5	2	3
42"	70		100	4	2	2	42"	70	100		5	2	3
48"	70		100	4	2	3	48"	70	99		6	3	3
52"	70		95	4	2	3	52"	70	93		6	3	3
62"	69		79	4	2	3	62"	70	80		6	3	3
66"	65		75	4	2	2	66"	65	75		5	3	3
72"	60		68	4	2	2	72"	60	68		5	2	3

LOADING & ANCHOR CAPACITY (PSF)						
NOMINAL DIMS		REQ'D ANCHORS AT CLUSTERS ON EACH SIDE OF VERTICAL				
PANEL WIDTH	PANEL HEIGHT	(+) P.S.F	(-) P.S.F	WOOD (WA)	CONC. (CA)	METAL (MA)
24"	132"	70	100	4	2	2
30"		70	100	4	2	3
36"		70	100	5	2	3
42"		70	100	5	3	3
48"		70	98	6	3	4
52"		70	92	6	3	4
62"		70	80	6	3	3
66"		65	75	6	3	3
72"		-	-	-	-	-
24"		138"	70	100	4	2
30"	70		100	4	2	3
36"	70		100	5	2	3
42"	70		100	6	2	3
48"	70		97	6	3	4
52"	70		91	6	3	4
62"	69		80	6	3	4
66"	-		-	-	-	-
72"	-		-	-	-	-
24"	141 1/2"		70	100	4	2
30"		70	100	5	2	3
36"		70	100	5	2	3
42"		70	100	6	2	4
48"		70	97	6	3	4
52"		70	91	6	3	4
62"		69	80	6	3	4
66"		-	-	-	-	-
72"		-	-	-	-	-

REQ'D MAX SPACING BETWEEN CLUSTERS (HEAD/SILL)			
PRESSURES	WOOD (WA)	CONC. (CA)	METAL (MA)
UP TO 80 PSF	12"	12"	12"
80 PSF TO 135 PSF	9"	10"	10"

REQ'D MAX SPACING AT JAMBS			
ALL SIZES	WOOD (WA)	CONC. (CA)	METAL (MA)
	6"	12"	12"

REQ'D MAX SPACING FOR POCKET HOOK STRIP ANCHORS			
ALL SIZES	WOOD (WA)	CONC. (CA)	METAL (MA)
	6"	6"	6"



NOTE: SIZES ON CHARTS ARE PANEL DIMENSIONS ADD 2 1/4" TO HEIGHT OF PANEL FOR OVERALL FRAME HEIGHT

FRANK L. BERNARDO, P.E.
No. 46544
LICENSE
04/20/2016
STATE OF FLORIDA
PROFESSIONAL ENGINEER
VALID FOR 1 PERMIT ONLY U.N.O.
VALID ONLY WITH ORIGINAL ENGINEER SEAL

ENGINEERING EXPRESS
CORPORATE OFFICE:
160 SW 12th AVE, SUITE 108
DEERFIELD BEACH, FL 33442
P: (954) 354-0660 F: (954) 354-0443
E: HELLO@ENGINEERINGEXPRESS.COM
ENGINEERINGEXPRESS.COM
CERT OF AUTH #9885

LA FINESTRA, LC
2790 NW 104TH COURT
DORAL, FL
(305) 599-8093

FLORIDA PRODUCT APPROVAL (2) DOORS
2790 NW 104TH COURT, MIAMI, FL
FBC 5TH EDITION (2014) PRODUCT APPROVAL #, FL

DRWN	CHKD	DATE
JEM	AJP	12/16/15

REMARKS
INIT ISSUE

THIS DOCUMENT IS THE PROPERTY OF ENGINEERING EXPRESS, AND SHALL NOT BE REPRODUCED IN WHOLE OR PART WITHOUT WRITTEN CONSENT OF ENGINEERING EXPRESS. ALTERATIONS, ADDITIONS, OR OTHER MARKINGS TO THIS DOCUMENT ARE NOT PERMITTED AND INVALIDATE OUR CERTIFICATION.

COPYRIGHT ENGINEERING EXPRESS ©
15-2257
SCALE: N.T.S.

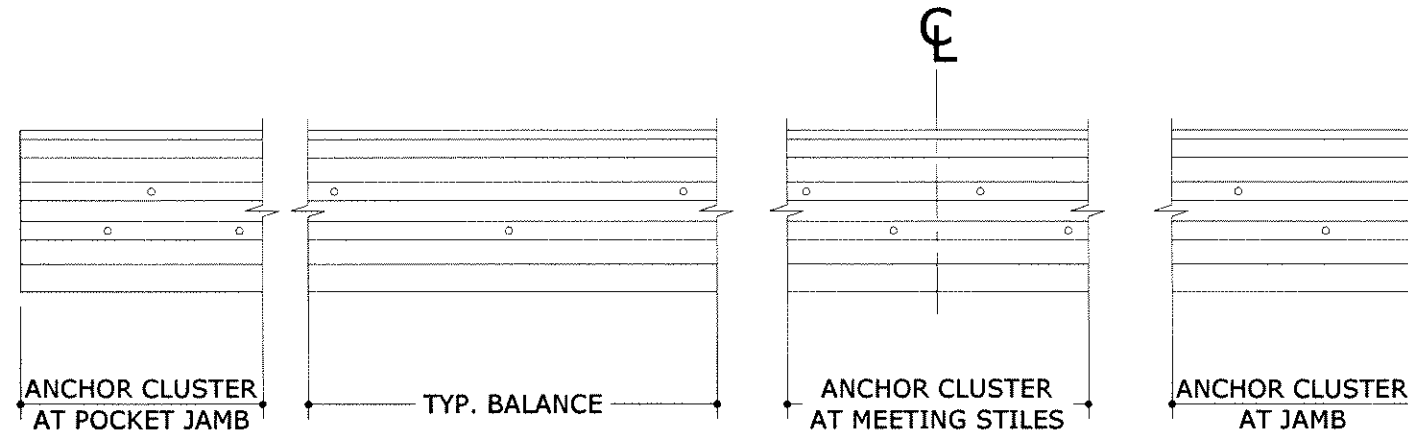
of 28
5

V:\Projects\15-2257 Florida Product Approval (2) Doors\Sliding Glass Door 2nd Submittal\Drawings\Product approval - 2nd submittal.dwg

joem

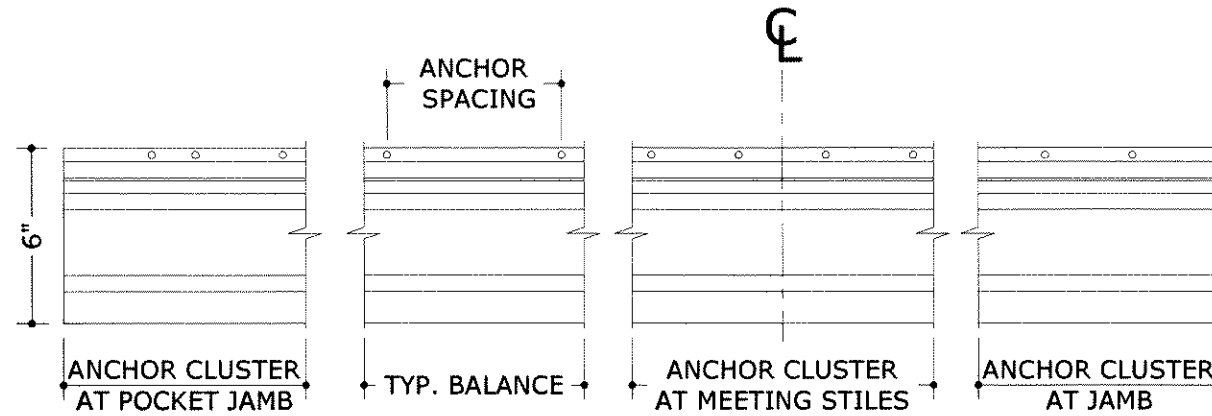
04/20/2016 - 5:48pm

DOOR HEADER ANCHOR LAYOUT



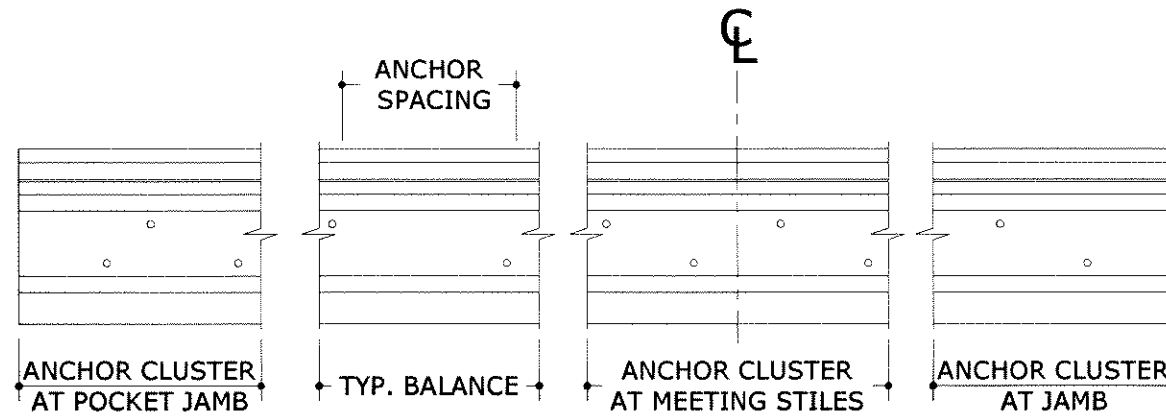
EXTERIOR

DOOR SILL ANCHOR LAYOUT



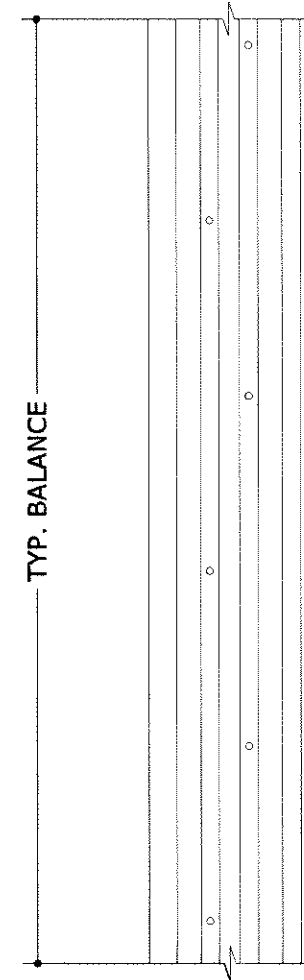
EXTERIOR

ALTERNATE DOOR SILL ANCHOR LAYOUT



EXTERIOR

DOOR JAMB ANCHOR LAYOUT

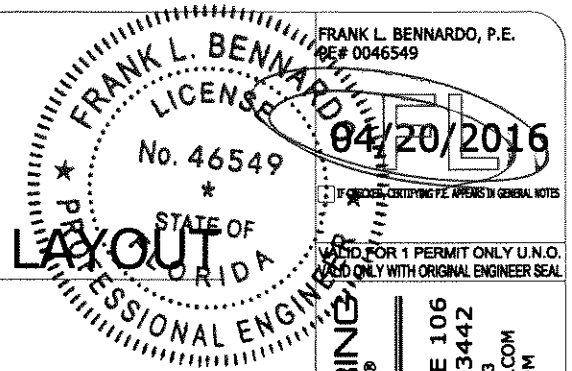


ANCHOR TYPES:

"CA": $\frac{1}{4}$ " ELCO ULTRACON, 1 $\frac{3}{4}$ " EMBEDMENT INTO 2846PSI CONCRETE MIN. WITH 2 $\frac{1}{2}$ " EDGE DISTANCE AND 3" MIN SPACING BETWEEN ANCHORS.

"WA": $\frac{1}{4}$ " ELCO ULTRACON, 1 $\frac{1}{2}$ " MIN EMBEDMENT INTO SOUTHERN YELLOW PINE #2 WOOD WITH 1" MIN EDGE DISTANCE AND 1" MIN SPACING BETWEEN ANCHORS.

"MA": $\frac{1}{4}$ "-14 ELCO DRILLFLEX, INTO $\frac{1}{8}$ " ALUMINUM (6063-T5 MIN) OR $\frac{1}{8}$ " STEEL (A36 MIN), $\frac{7}{8}$ " MIN EDGE DISTANCE AND 1" MIN SPACING BETWEEN ANCHORS.



ENGINEERING EXPRESS
 CORPORATE OFFICE:
 160 SW 12th AVE, SUITE 106
 DEERFIELD BEACH, FL 33442
 P: (954) 354-0660 F: (954) 354-0443
 E: HELLO@ENGINEERINGEXPRESS.COM
 ENGINEERINGEXPRESS.COM
 CERT OF AUTH #9885

LA FINESTRA, LC
 2790 NW 104TH COURT
 DORAL, FL
 (305) 599-8093
 FLORIDA PRODUCT APPROVAL (2) DOORS
 2790 NW 104TH COURT, MIAMI, FL
 FBC 5TH EDITION (2014) PRODUCT APPROVAL #, FL

REMARKS	DRWN	CHKD	DATE
INIT ISSUE	JEM	AJP	12/16/15

THIS DOCUMENT IS THE PROPERTY OF ENGINEERING EXPRESS, AND SHALL NOT BE REPRODUCED IN WHOLE OR PART WITHOUT WRITTEN CONSENT OF ENGINEERING EXPRESS. ALTERATIONS, ADDITIONS, OR OTHER MARKINGS TO THIS DOCUMENT ARE NOT PERMITTED AND INVALIDATE OUR CERTIFICATION.

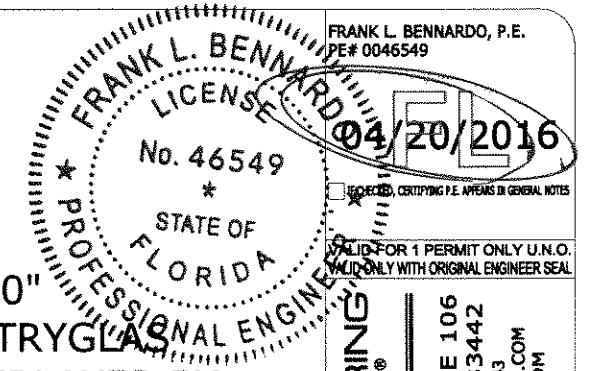
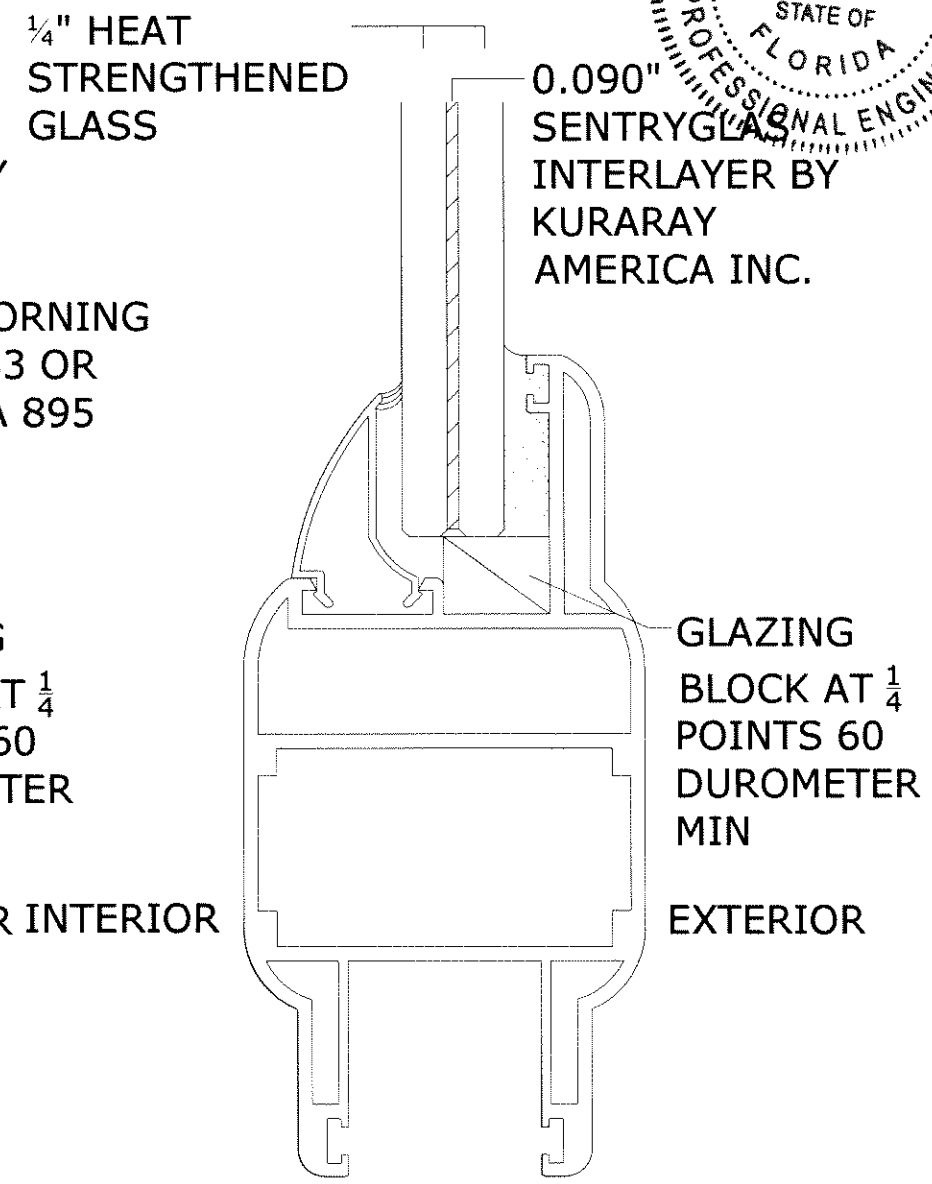
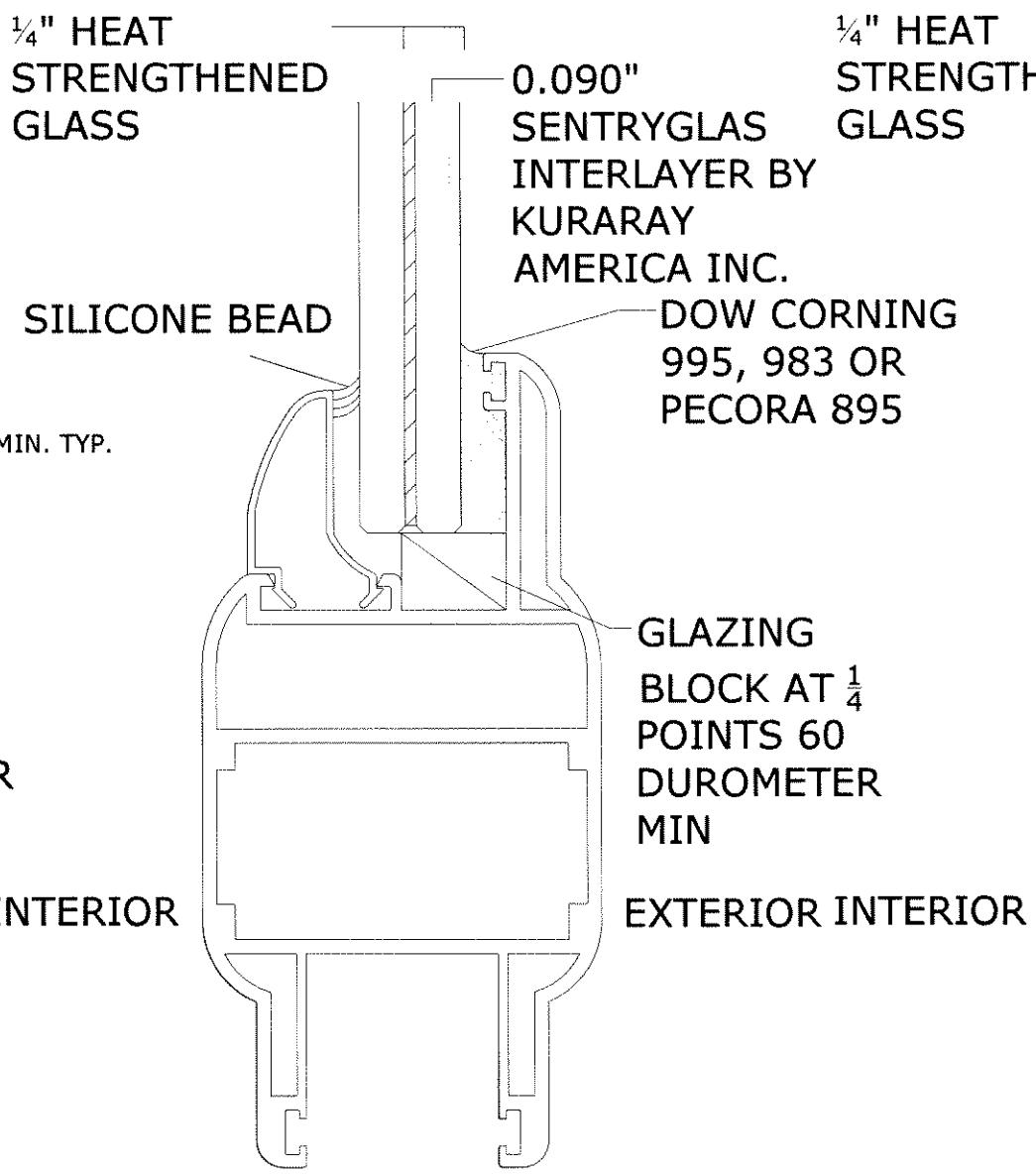
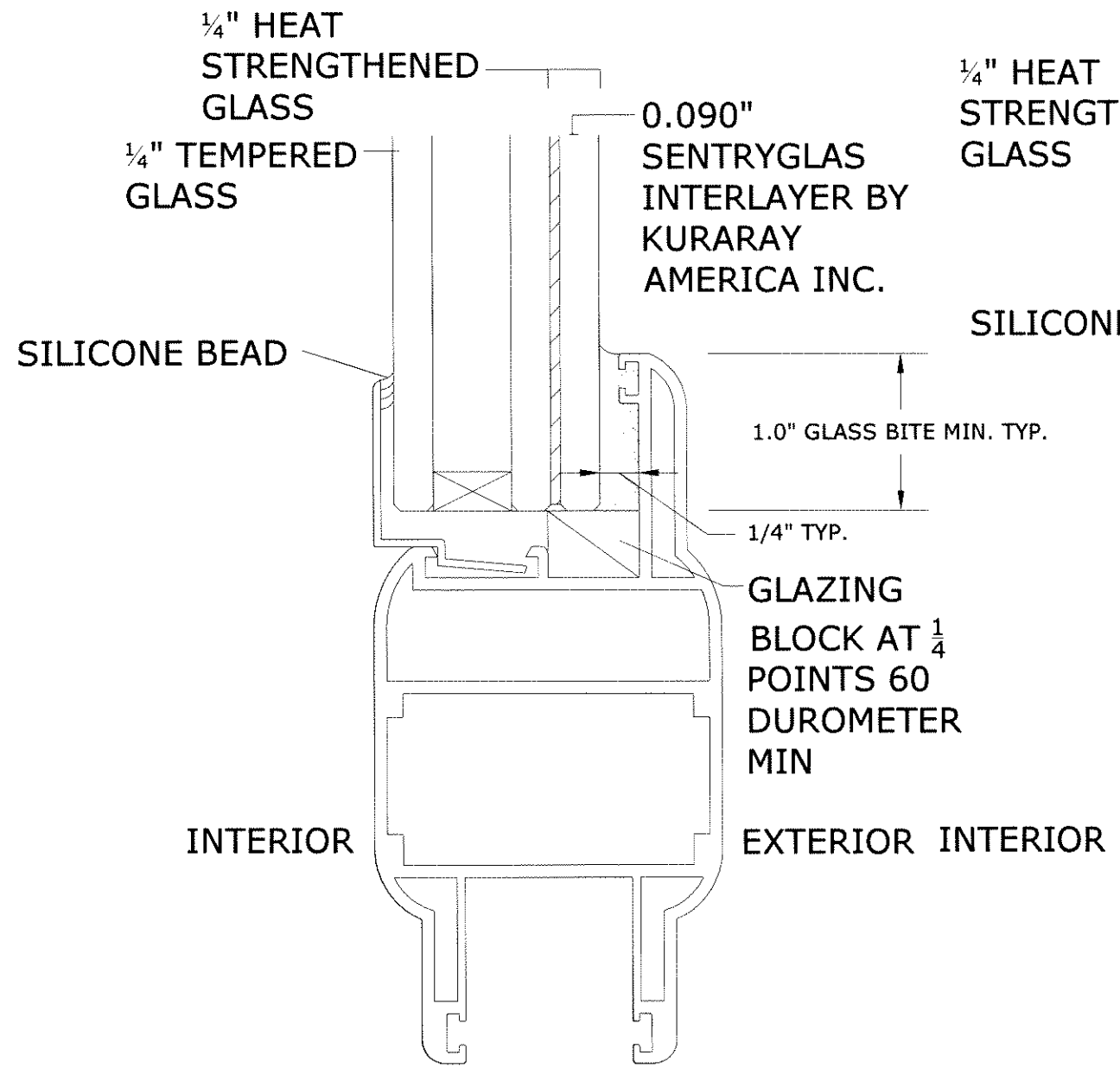
COPYRIGHT ENGINEERING EXPRESS ©

15-2257

SCALE: N.T.S.

28

C:\Users\joem\appdata\local\temp\AcPublish_1004415-2257_02c Product approval - 2nd submittal.dwg
 joem
 04/20/2016 - 4:41pm



ENGINEERING EXPRESS
 CORPORATE OFFICE:
 160 SW 12th AVE, SUITE 106
 DEERFIELD BEACH, FL 33442
 P: (954) 354-0660 F: (954) 354-0443
 E: HELLO@ENGINEERINGEXPRESS.COM
 ENGINEERINGEXPRESS.COM
 CERT OF AUTH #9885

LA FINESTRA, LC
 2790 NW 104TH COURT
 DORAL, FL
 (305) 599-8093
 FLORIDA PRODUCT APPROVAL (2) DOORS
 2790 NW 104TH COURT, MIAMI, FL
 FBC 5TH EDITION (2014) PRODUCT APPROVAL #, FL

REMARKS	DRWN	CHKD	DATE
INIT ISSUE	JEM	AJP	12/16/15
THIS DOCUMENT IS THE PROPERTY OF ENGINEERING EXPRESS AND SHALL NOT BE REPRODUCED IN WHOLE OR PART WITHOUT WRITTEN CONSENT OF ENGINEERING EXPRESS. ALTERATIONS, ADDITIONS OR OTHER MARKINGS TO THIS DOCUMENT ARE NOT PERMITTED AND INVALIDATE OUR CERTIFICATION.			

NOTES:
 REFER TO SHEET 3 FOR ALLOWABLE PRESSURES APPLICABLE FOR ALL GLASS TYPES HEREIN.
 EXTRUDED GLAZING BEADS ARE A NON-STRUCTURAL COMPONENT.
 ALL GLASS CAPACITIES HAVE BEEN DESIGNED PER ASTM E-1300-04

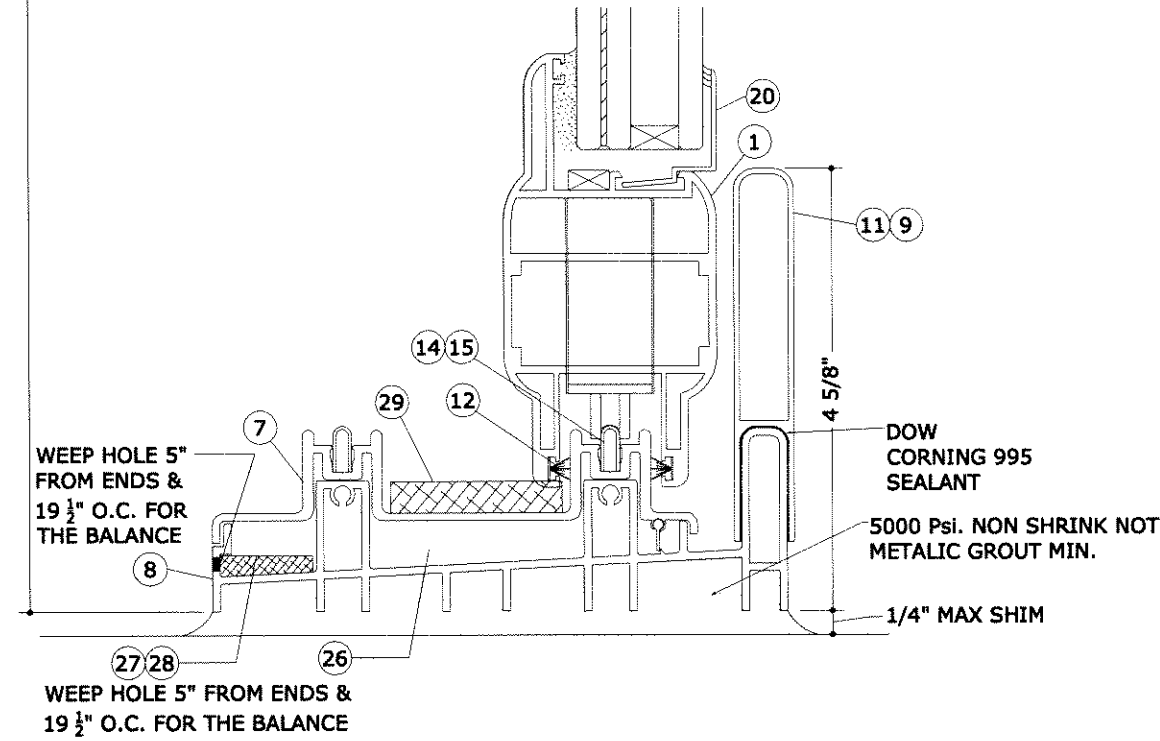
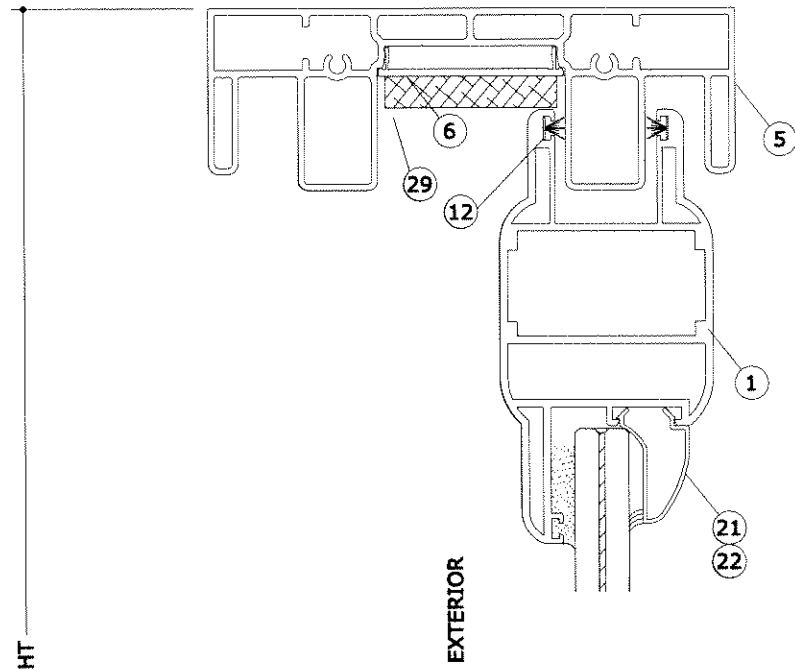
COPYRIGHT ENGINEERING EXPRESS ©
 15-2257
 SCALE: N.T.S.
 7

V:\Projects\15-2257 Florida Product Approval (2) Doors\Sliding Glass Door 2nd Submittal\Drawings\Product approval - 2nd Submittal.dwg

joem

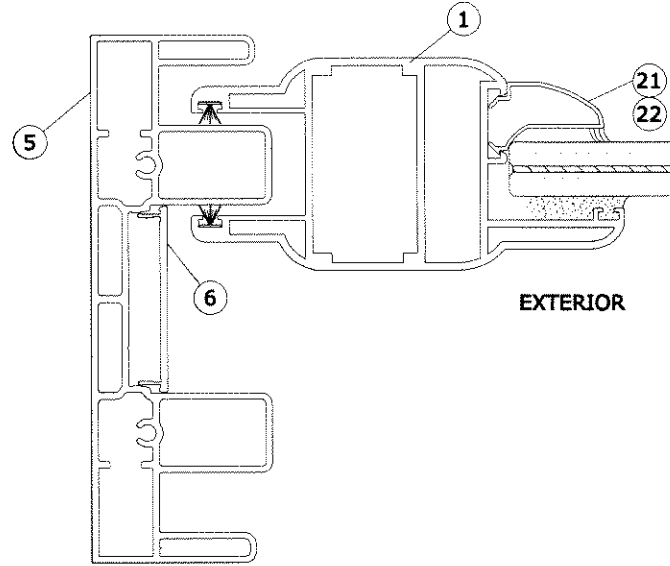
04/20/2016 - 5:45pm

1 TYPICAL HEADER SECTION
8 6" = 1'-0" VERT SECT

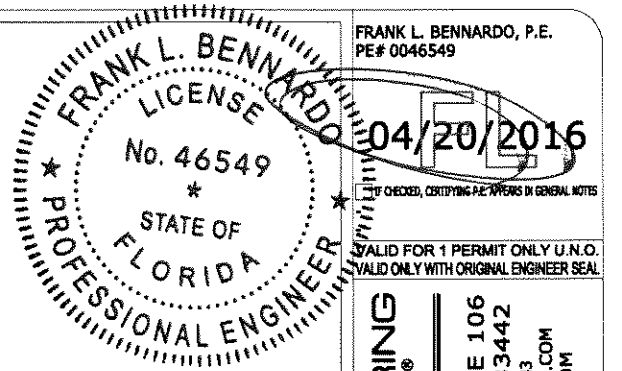
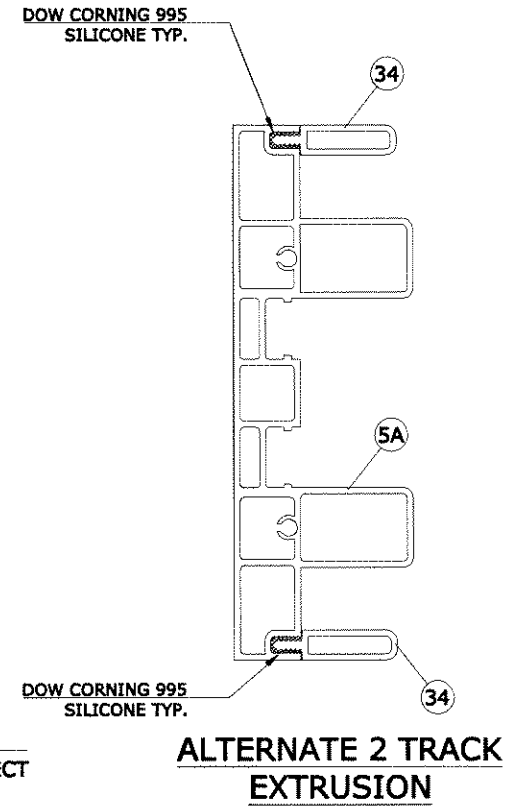


2 TYPICAL SILL SECTION
8 6" = 1'-0" VERT SECT

2 TRACK



3 TYPICAL JAMB SECTION
8 6" = 1'-0" VERT SECT



FRANK L. BENNARDO, P.E.
PE# 0046549

VALID FOR 1 PERMIT ONLY U.N.O.
VALID ONLY WITH ORIGINAL ENGINEER SEAL

ENGINEERING EXPRESS
CORPORATE OFFICE:
160 SW 12th AVE, SUITE 106
DEERFIELD BEACH, FL 33442
P: (954) 354-0660 F: (954) 354-0443
E: HELLO@ENGINEERINGEXPRESS.COM
ENGINEERINGEXPRESS.COM
CERT OF AUTH #9885

LA FINESTRA, LC
2790 NW 104TH COURT
DORAL, FL
(305) 599-8093
FLORIDA PRODUCT APPROVAL (2) DOORS
2790 NW 104TH COURT, MIAMI, FL
FBC 5TH EDITION (2014) PRODUCT APPROVAL #, FL

DRWN	CHKD	DATE
JEM	AJP	12/16/15

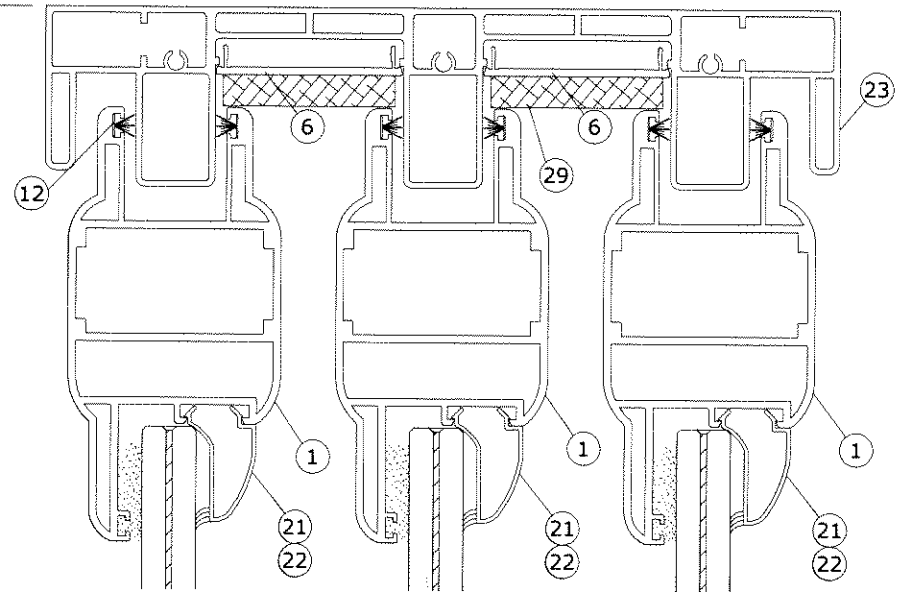
REMARKS
INIT ISSUE

THIS DOCUMENT IS THE PROPERTY OF ENGINEERING EXPRESS, AND SHALL NOT BE REPRODUCED IN WHOLE OR PART WITHOUT WRITTEN CONSENT OF ENGINEERING EXPRESS. ALTERATIONS, ADDITIONS, OR OTHER MARKINGS TO THIS DOCUMENT ARE NOT PERMITTED AND INVALIDATE OUR CERTIFICATION.

COPYRIGHT ENGINEERING EXPRESS ©
15-2257
SCALE: N.T.S.

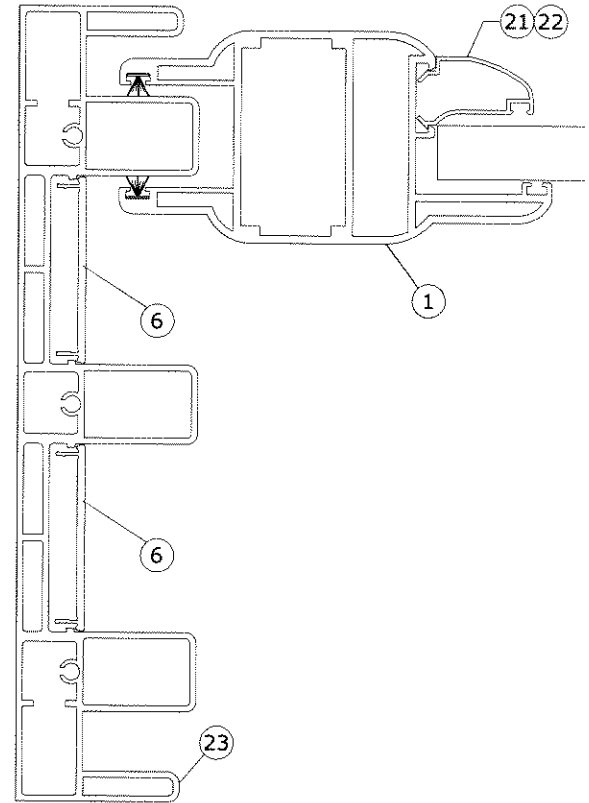
V:\Projects\15-2257 Florida Product Approval (2) Doors\Sliding Glass Door 2nd Submittal\Drawings\Products\product approval - 2nd submittal.dwg
 04/20/2016 - 5:45pm joem

1 TYPICAL HEADER SECTION
 7 6" = 1'-0" VERT SECT

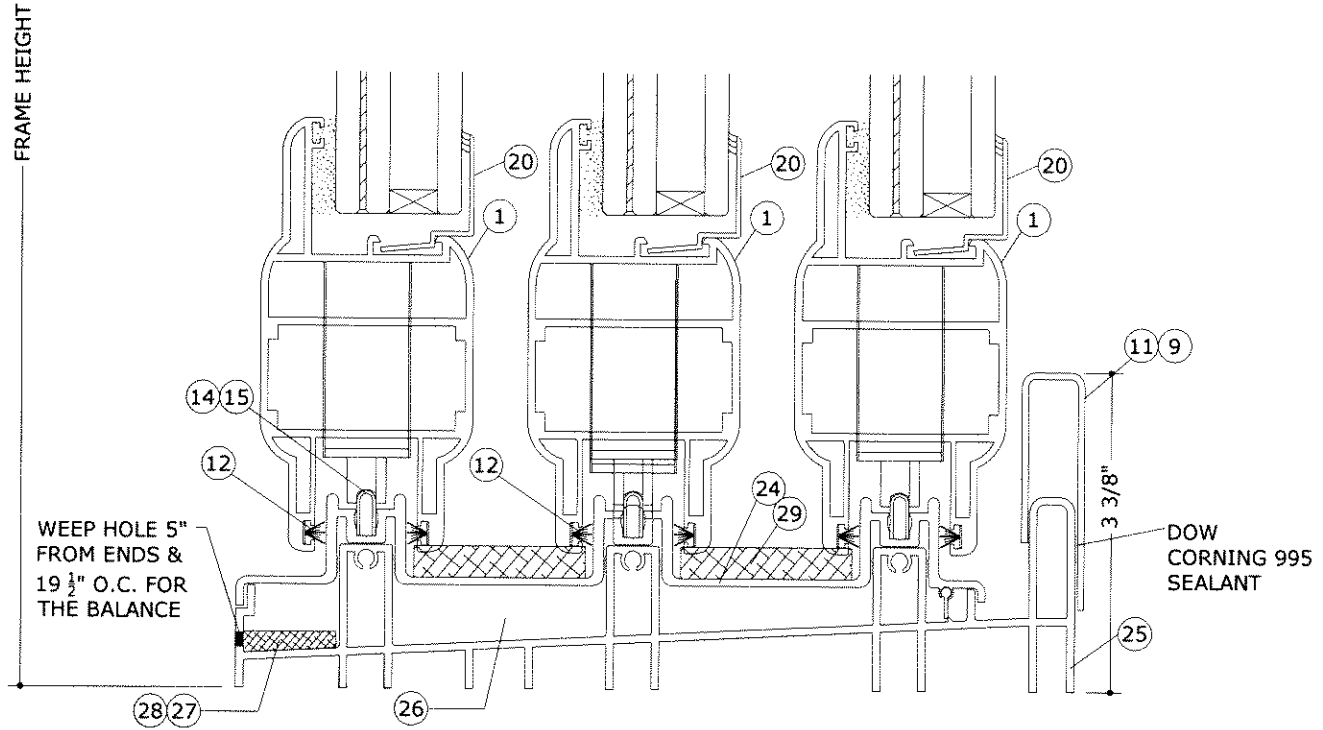


3 TRACK

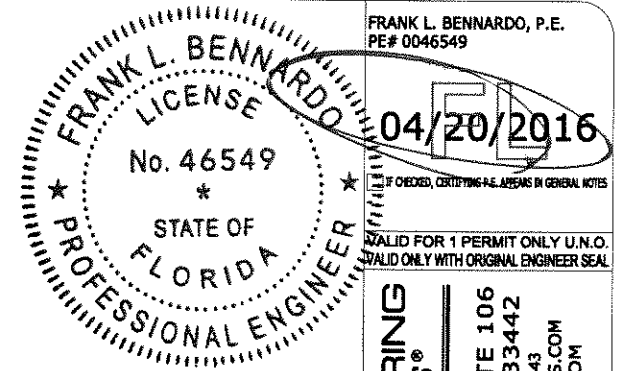
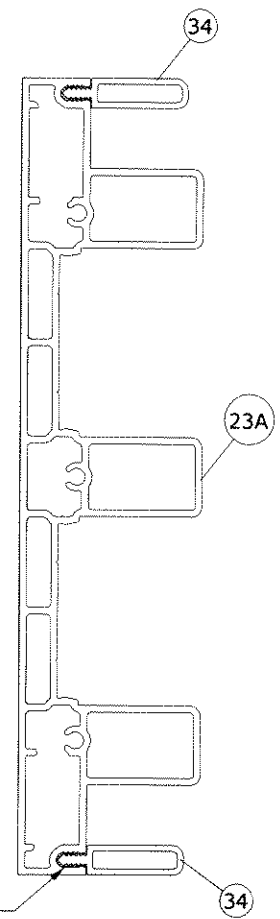
3 TYPICAL JAMB SECTION
 7 6" = 1'-0" VERT SECT



2 TYPICAL SILL SECTION
 7 6" = 1'-0" VERT SECT



ALTERNATE 3 TRACK EXTRUSION
 DOW CORNING 995 SILICONE TYP.



ENGINEERING EXPRESS
 CORPORATE OFFICE:
 160 SW 12th AVE, SUITE 106
 DEERFIELD BEACH, FL 33442
 P: (954) 354-0660 F: (954) 354-0443
 E: HELLO@ENGINEERINGEXPRESS.COM
 ENGINEERINGEXPRESS.COM
 CERT OF AUTH #9885

LA FINESTRA, LC
 2790 NW 104TH COURT
 DORAL, FL
 (305) 599-8093
 FLORIDA PRODUCT APPROVAL (2) DOORS
 2790 NW 104TH COURT, MIAMI, FL
 FBC 5TH EDITION (2014) PRODUCT APPROVAL #, FL

REMARKS	DRWN	CHKD	DATE
INIT ISSUE	JEM	AJP	12/18/15

THIS DOCUMENT IS THE PROPERTY OF ENGINEERING EXPRESS, AND SHALL NOT BE REPRODUCED IN WHOLE OR PART WITHOUT WRITTEN CONSENT OF ENGINEERING EXPRESS. ALTERATIONS, ADDITIONS, OR OTHER MARKINGS TO THIS DOCUMENT ARE NOT PERMITTED AND INVALIDATE OUR CERTIFICATION.

COPYRIGHT ENGINEERING EXPRESS ©
15-2257
 SCALE: N.T.S.
 28

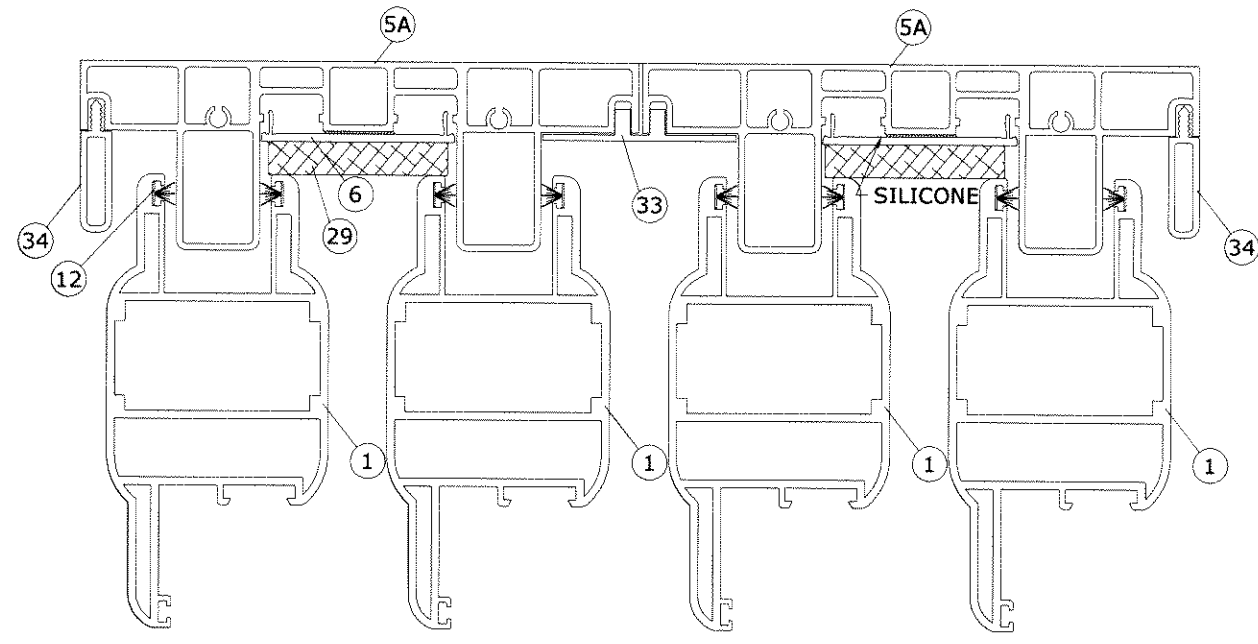
4 TRACK

FRANK L. BENNARDO, P.E.
PE# 0046549

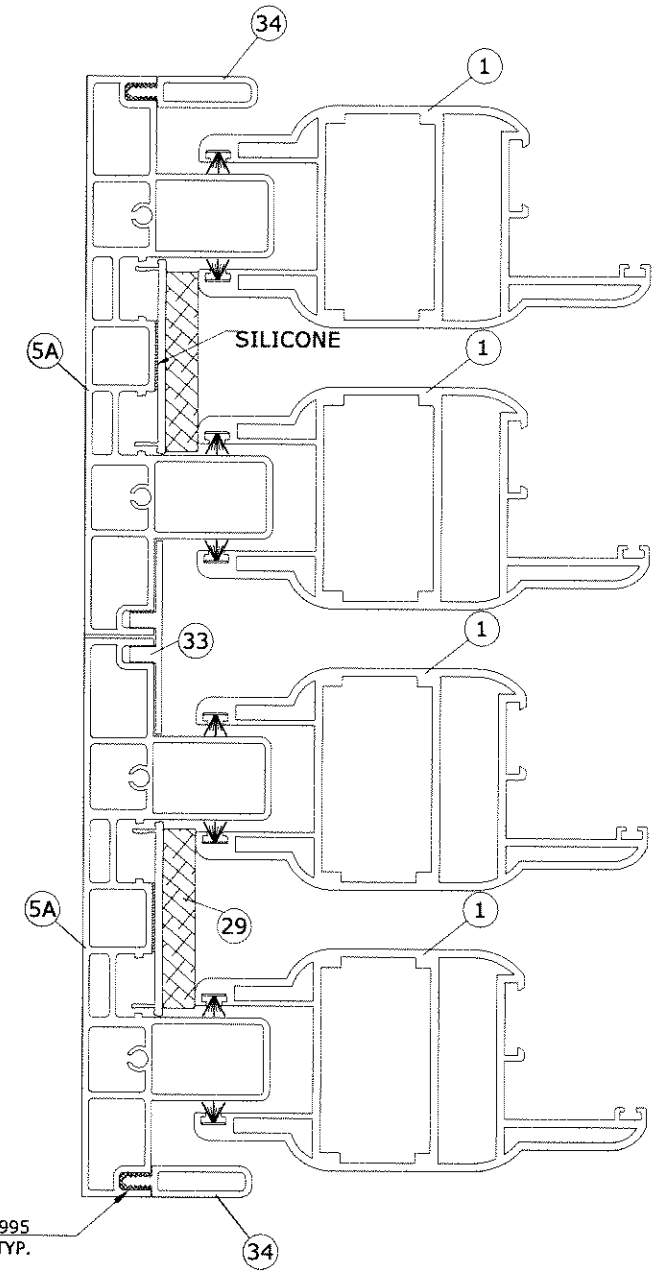
04/20/2016

FRANK L. BENNARDO
LICENSE
No. 46549
STATE OF
FLORIDA
PROFESSIONAL ENGINEER

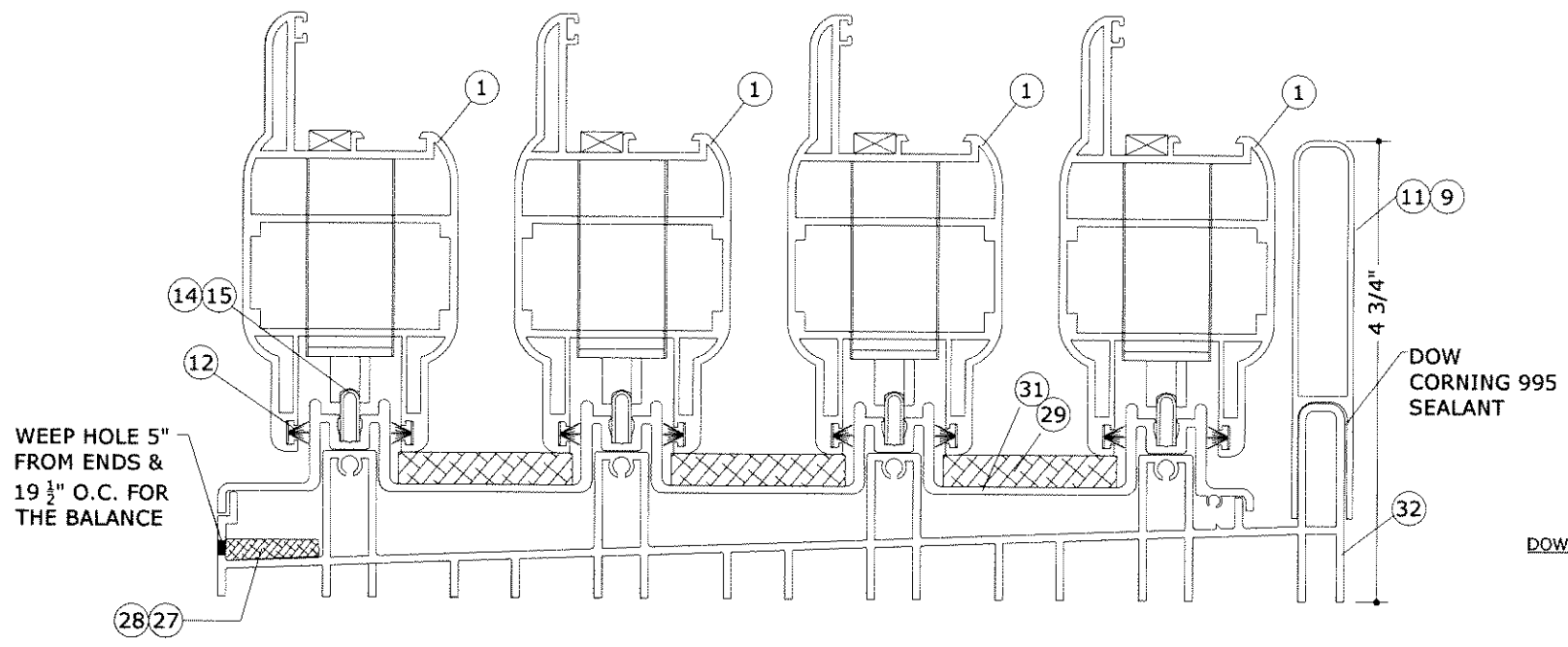
VALID FOR 1 PERMIT ONLY U.N.O.
VALID ONLY WITH ORIGINAL ENGINEER SEAL



1 TYPICAL HEADER SECTION
10 6" = 1'-0" VERT SECT



3 TYPICAL JAMB SECTION
10 6" = 1'-0" VERT SECT



2 TYPICAL SILL SECTION
10 6" = 1'-0" VERT SECT

ENGINEERING EXPRESS
CORPORATE OFFICE:
160 SW 12th AVE, SUITE 106
DEERFIELD BEACH, FL 33442
P: (954) 354-0660 F: (954) 354-0443
E: HELLO@ENGINEERINGEXPRESS.COM
ENGINEERINGEXPRESS.COM
CERT OF AUTH #9885

LA FINESTRA, LC
2790 NW 104TH COURT
DORAL, FL
(305) 599-8093

FLORIDA PRODUCT APPROVAL (2) DOORS
2790 NW 104TH COURT, MIAMI, FL
FBC 5TH EDITION (2014) PRODUCT APPROVAL #, FL

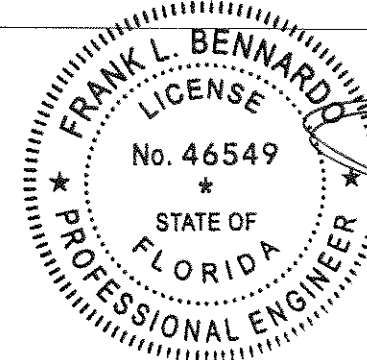
REMARKS	INIT	ISSUE	DRWN	CHKD	DATE
	JEM		AJP		12/16/15

THIS DOCUMENT IS THE PROPERTY OF ENGINEERING EXPRESS, AND SHALL NOT BE REPRODUCED IN WHOLE OR PART WITHOUT WRITTEN CONSENT OF ENGINEERING EXPRESS. ALTERATIONS, ADDITIONS, OR OTHER MARKINGS TO THIS DOCUMENT ARE NOT PERMITTED AND INVALIDATE OUR CERTIFICATION.

COPYRIGHT ENGINEERING EXPRESS ©
15-2257
SCALE: N.T.S.

V:\Projects\15-2257 Florida Product Approval (2) Doors\Sliding Glass Door 2nd Submittal\Drawings\Product approval - 2nd Submittal.dwg joem 04/20/2016 - 5:45pm

2, 3 & 4 TRACK SECTIONS



FRANK L. BENNARDO, P.E.
PE# 0046549

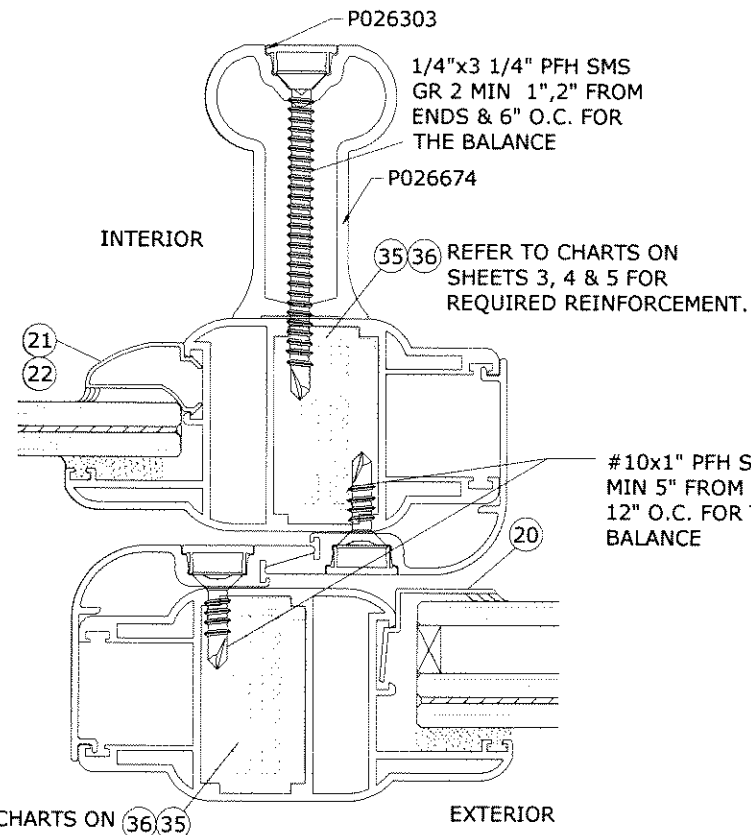
04/20/2016

IF CORRECT, CHECKING IS APPLIED IN GENERAL NOTES

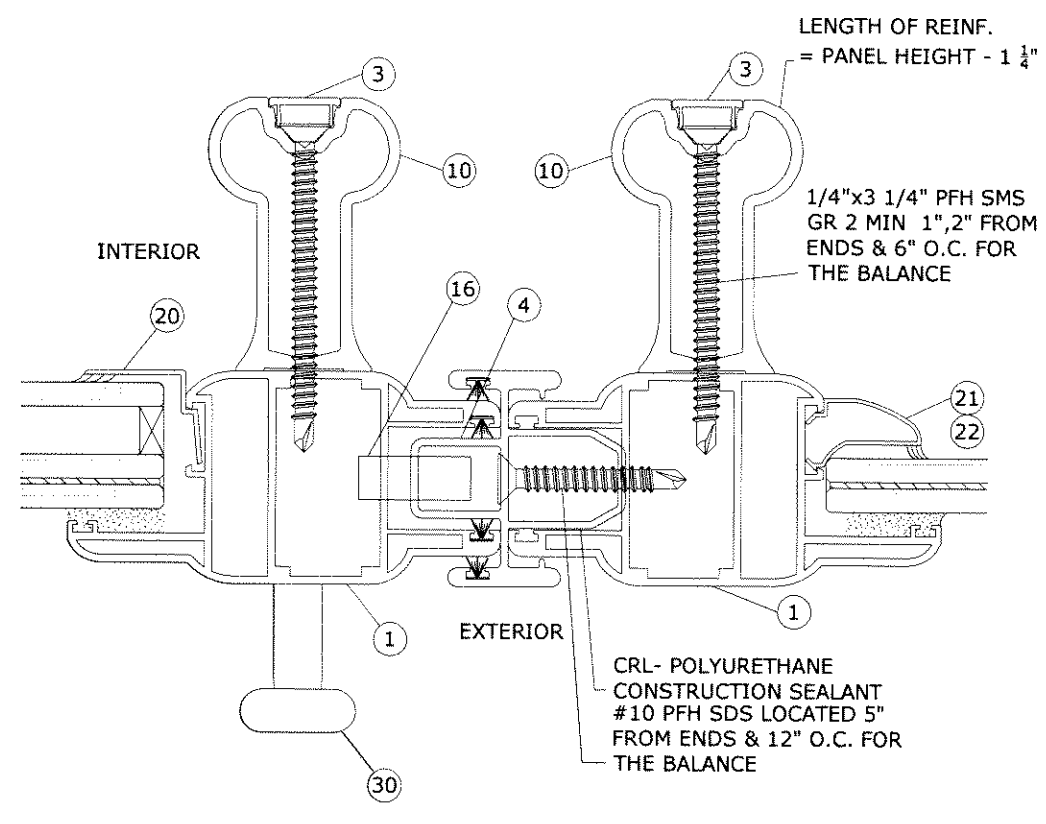
VALID FOR 1 PERMIT ONLY U.N.O.
VALID ONLY WITH ORIGINAL ENGINEER SEAL

ENGINEERING EXPRESS
CORPORATE OFFICE:
160 SW 12th AVE, SUITE 106
DEERFIELD BEACH, FL 33442
P: (954) 354-0660 F: (954) 354-0443
E: HELLO@ENGINEERINGEXPRESS.COM
ENGINEERINGEXPRESS.COM
CERT OF AUTH #9885

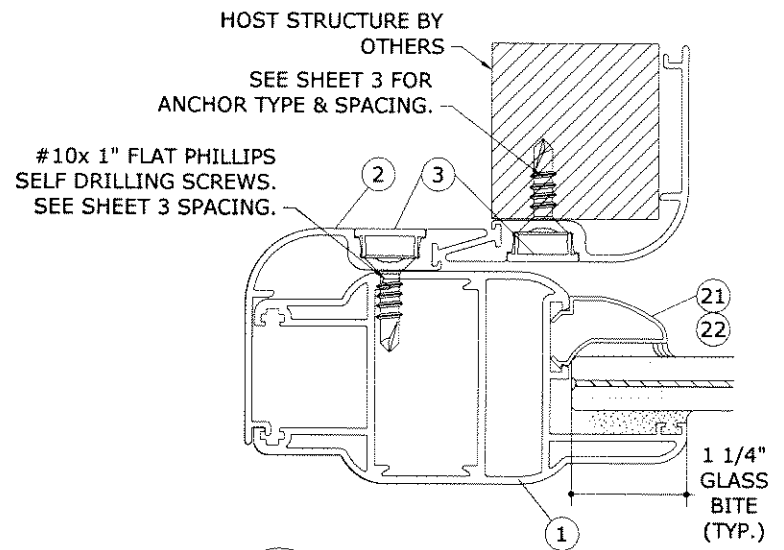
LA FINESTRA, LC
2790 NW 104TH COURT
DORAL, FL
(305) 599-8093
FLORIDA PRODUCT APPROVAL (2) DOORS
2790 NW 104TH COURT, MIAMI, FL
FBC 5TH EDITION (2014) PRODUCT APPROVAL #, FL



5 TYPICAL INTERLOCKING STILE
11 6" = 1'-0"



6 LOCKSTILE DETAIL
11 6" = 1'-0"



4 POCKET JAMB DETAIL
11 6" = 1'-0"

REMARKS	DRWN	CHKD	DATE
INIT ISSUE	JEM	AJP	12/16/15

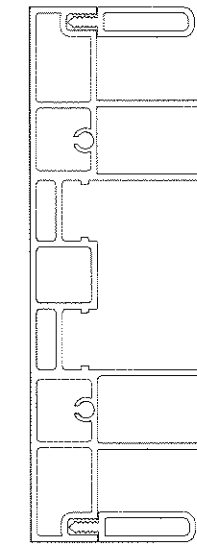
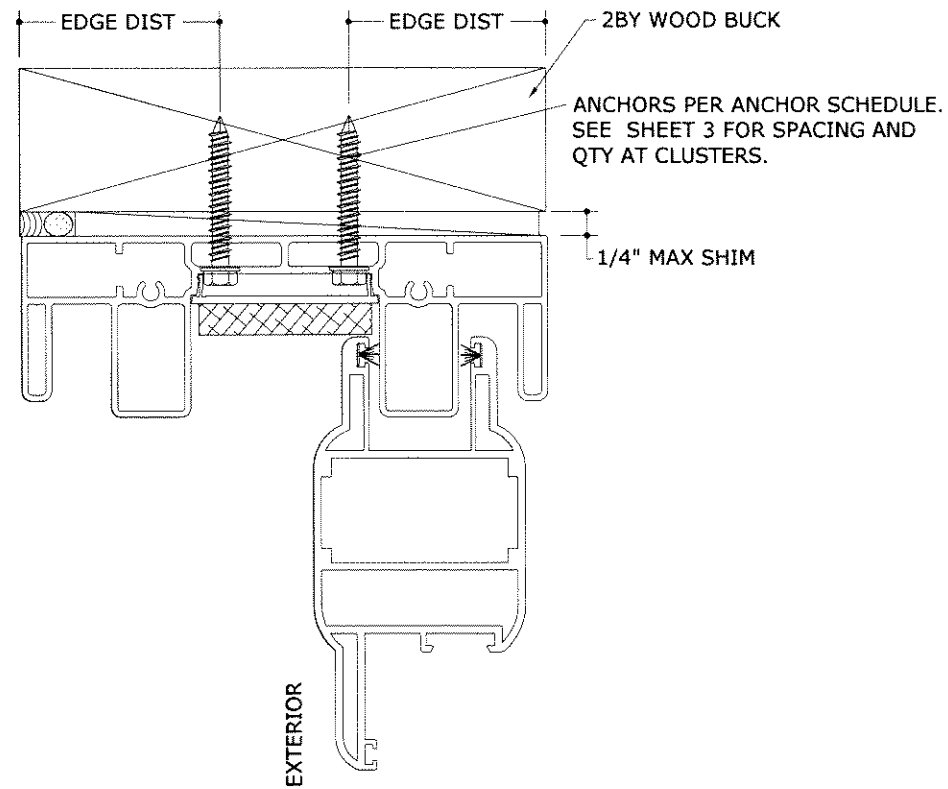
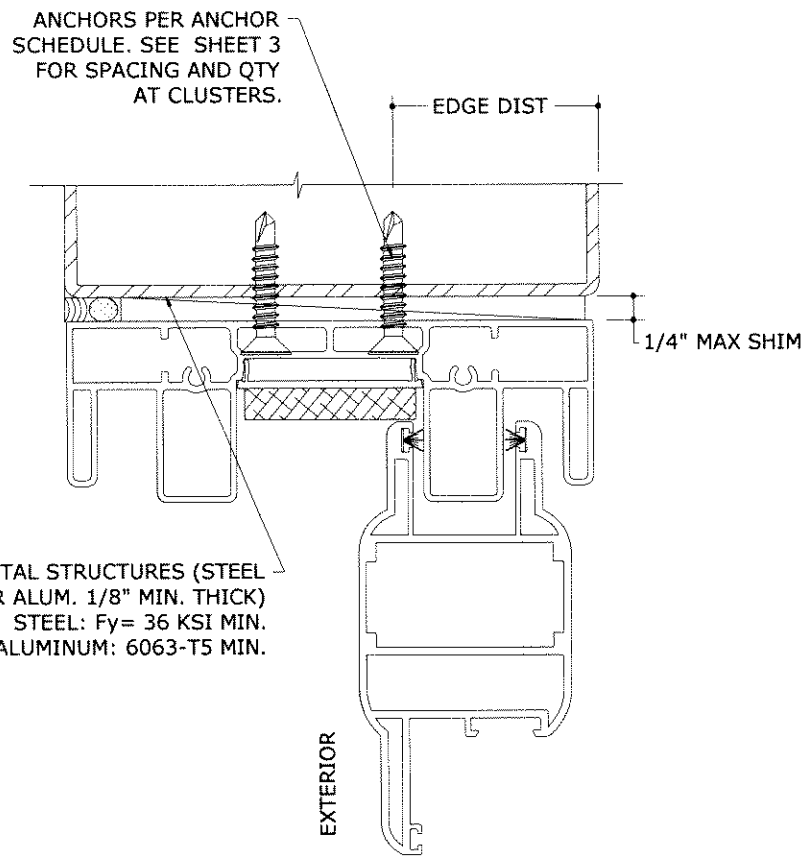
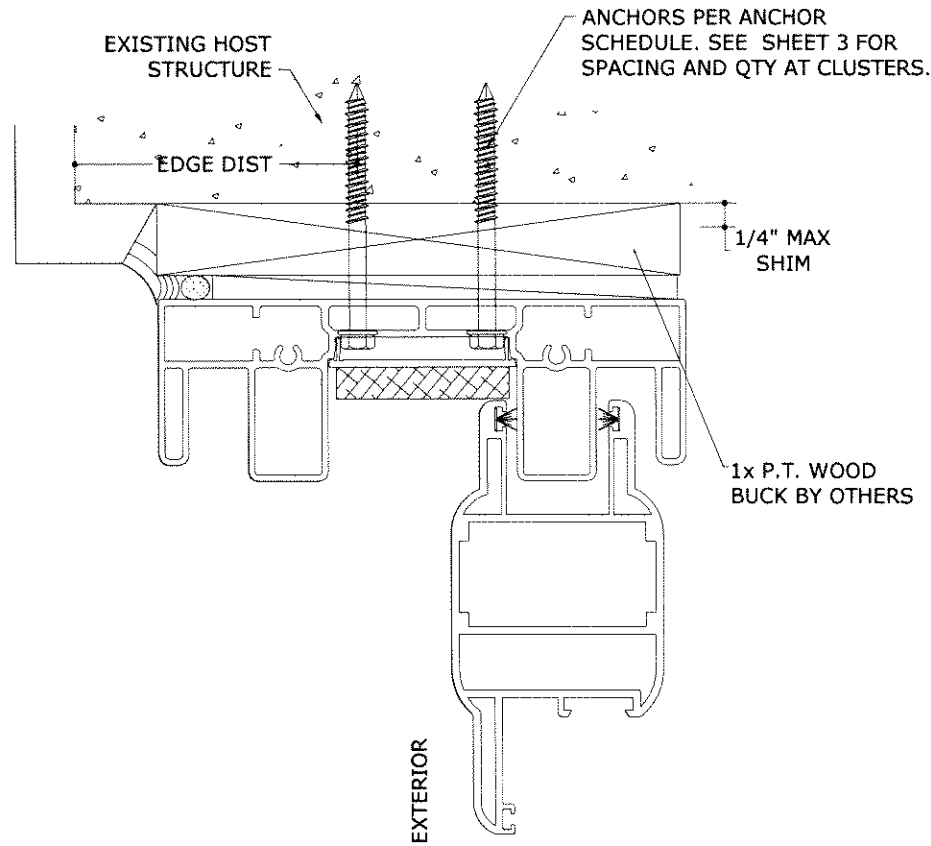
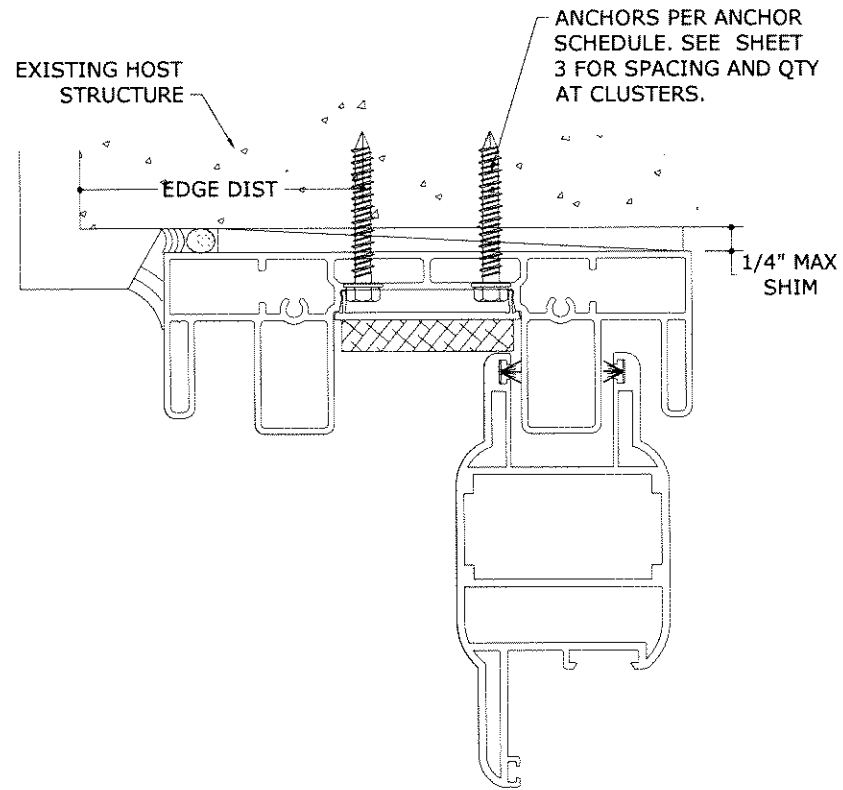
THIS DOCUMENT IS THE PROPERTY OF ENGINEERING EXPRESS, AND SHALL NOT BE REPRODUCED IN WHOLE OR PART WITHOUT WRITTEN CONSENT OF ENGINEERING EXPRESS. ALTERATIONS, ADDITIONS, OR OTHER MARKINGS TO THIS DOCUMENT ARE NOT PERMITTED AND INVALIDATE OUR CERTIFICATION.

COPYRIGHT ENGINEERING EXPRESS

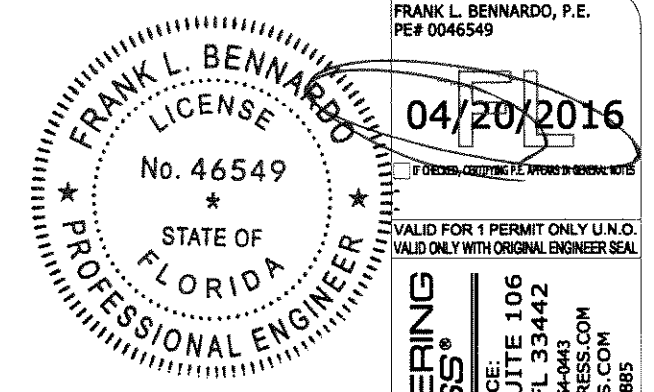
15-2257
SCALE: N.T.S.

C:\Users\joem\appdata\localtemp\AcPublish_1004415-2257_02c Product approval - 2nd submittal.dwg joem 04/20/2016 - 4:41pm

2 TRACK ANCHORING



ALTERNATE 2 TRACK EXTRUSION



ENGINEERING EXPRESS
CORPORATE OFFICE:
160 SW 12th AVE, SUITE 106
DEERFIELD BEACH, FL 33442
P: (954) 354-0660 F: (954) 354-0443
E: HELLO@ENGINEERINGEXPRESS.COM
ENGINEERINGEXPRESS.COM
CERT OF AUTH #9885

LA FINESTRA, LC
2790 NW 104TH COURT
DORAL, FL
(305) 599-8093

FLORIDA PRODUCT APPROVAL (2) DOORS
2790 NW 104TH COURT, MIAMI, FL
FBC 5TH EDITION (2014) PRODUCT APPROVAL #, FL

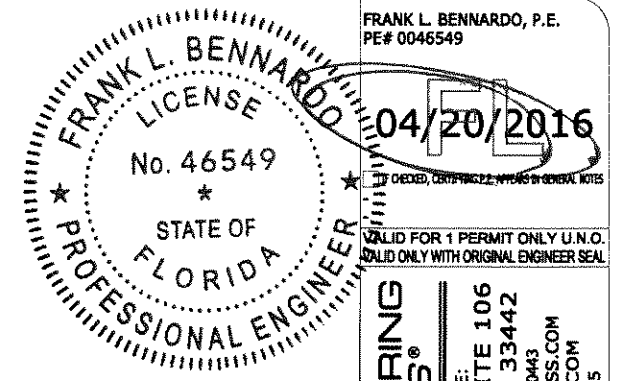
REMARKS	DRWN	CHKD	DATE
INIT ISSUE	JEM	AJP	12/16/15
THIS DOCUMENT IS THE PROPERTY OF ENGINEERING EXPRESS AND SHALL NOT BE REPRODUCED IN WHOLE OR PART WITHOUT WRITTEN CONSENT OF ENGINEERING EXPRESS. ALTERATIONS, ADDITIONS OR OTHER MARKINGS TO THIS DOCUMENT ARE NOT PERMITTED AND INVALIDATE OUR CERTIFICATION.			

COPYRIGHT ENGINEERING EXPRESS ©
15-2257
SCALE: N.T.S.

WOOD BUCKS AND METAL STRUCTURE NOT BY LA FINESTRA. MUST SUSTAIN LOADS IMPOSED BY GLAZING SYSTEM AND TRANSFER THEM TO THE BUILDING STRUCTURE.

C:\Users\joem\appdata\local\temp\AcPublish_1004415-2257_02c Product approval - 2nd submittal.dwg joem 04/20/2016 - 4:41pm

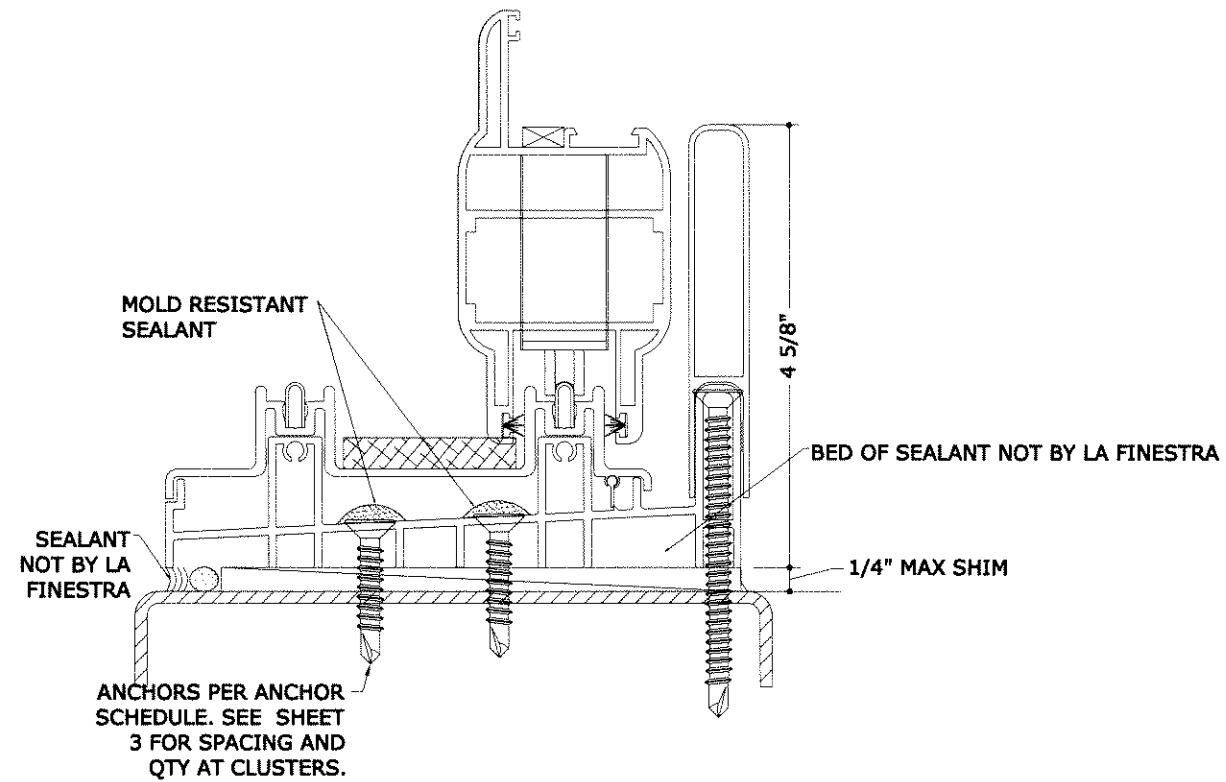
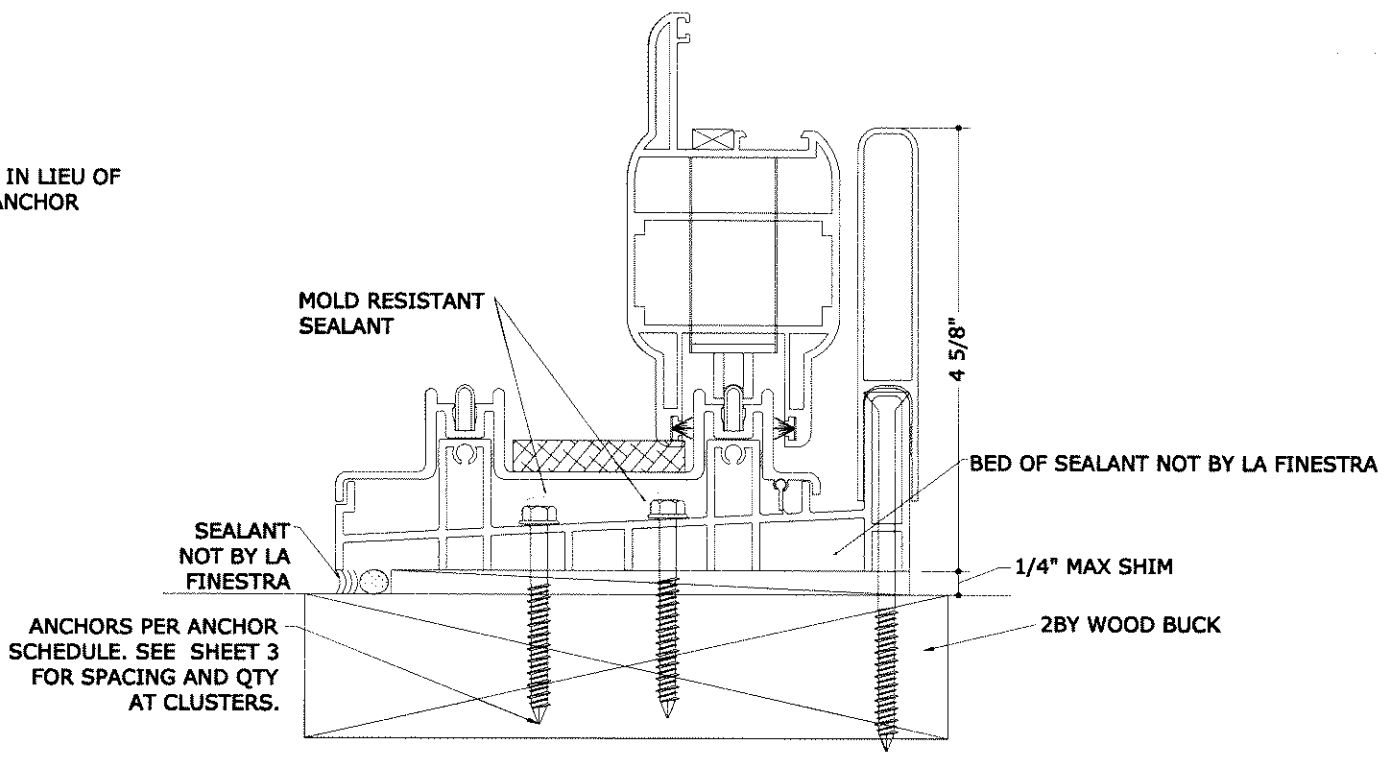
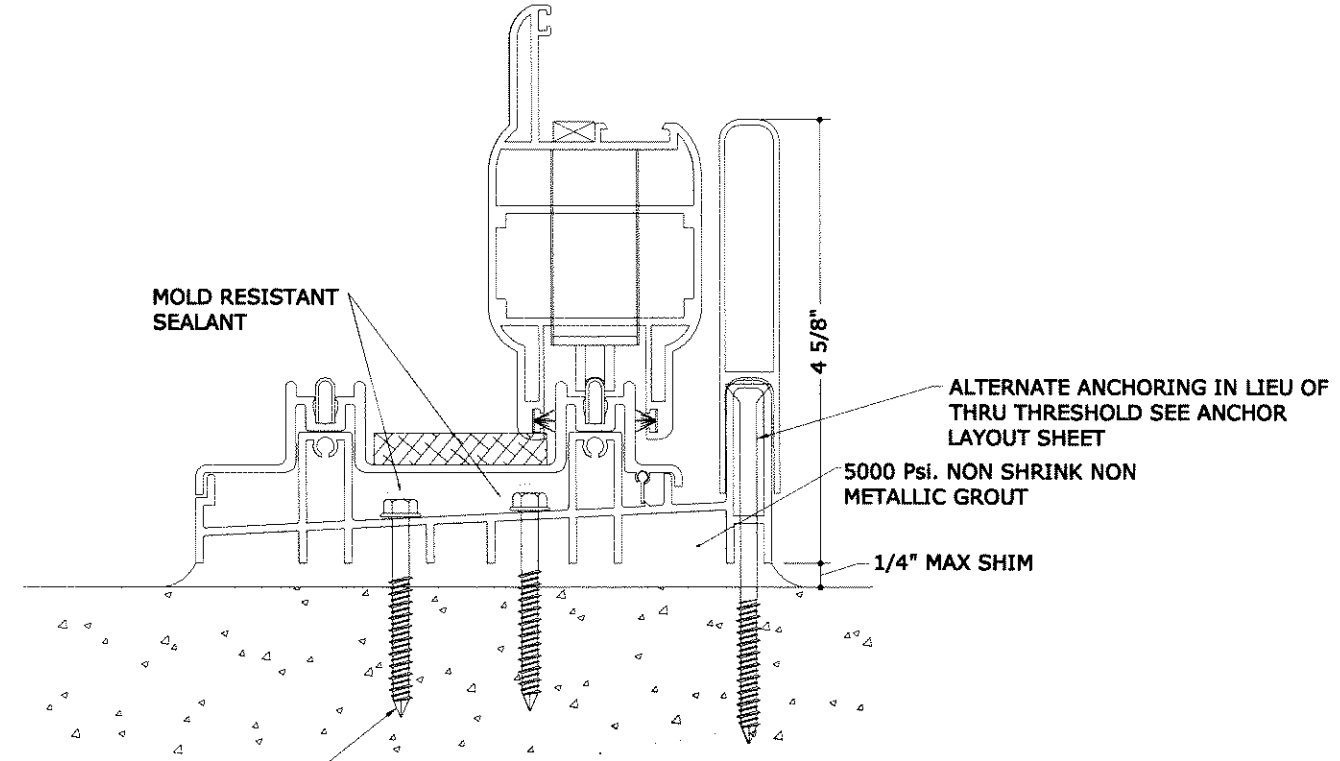
2 TRACK ANCHORING



FRANK L. BENNARDO, P.E.
PE# 0046549

VALID FOR 1 PERMIT ONLY U.N.O.
VALID ONLY WITH ORIGINAL ENGINEER SEAL

ENGINEERING EXPRESS
CORPORATE OFFICE:
160 SW 12th AVE, SUITE 106
DEERFIELD BEACH, FL 33442
P: (954) 354-0660 F: (954) 354-0443
E: HELLO@ENGINEERINGEXPRESS.COM
ENGINEERINGEXPRESS.COM
CERT OF AUTH #9885



WOOD BUCKS AND METAL STRUCTURE NOT BY LA FINESTRA. MUST SUSTAIN LOADS IMPOSED BY GLAZING SYSTEM AND TRANSFER THEM TO THE BUILDING STRUCTURE.

LA FINESTRA, LC
2790 NW 104TH COURT
DORAL, FL
(305) 599-8093

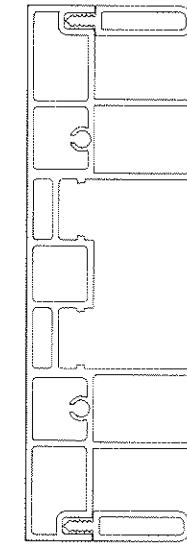
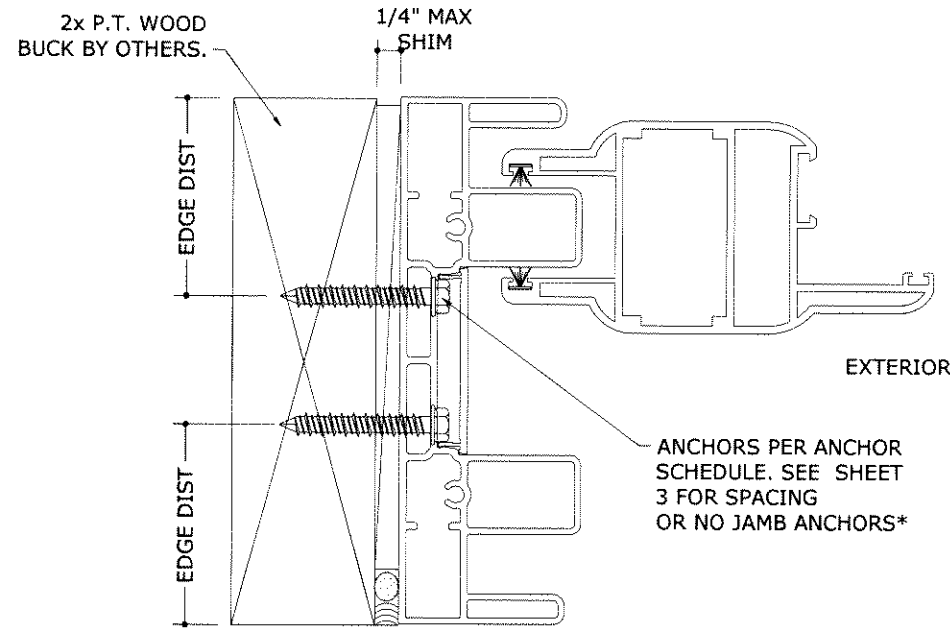
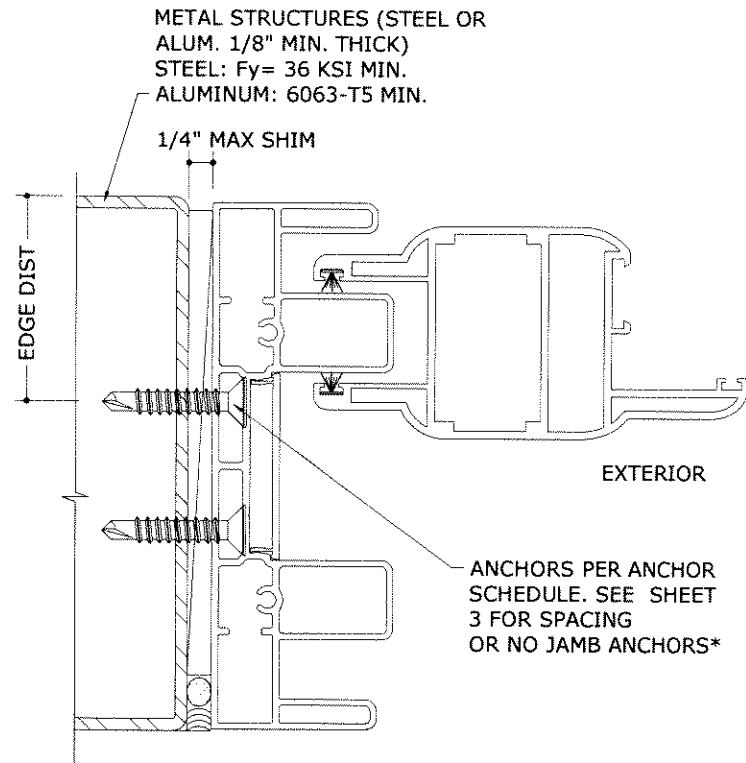
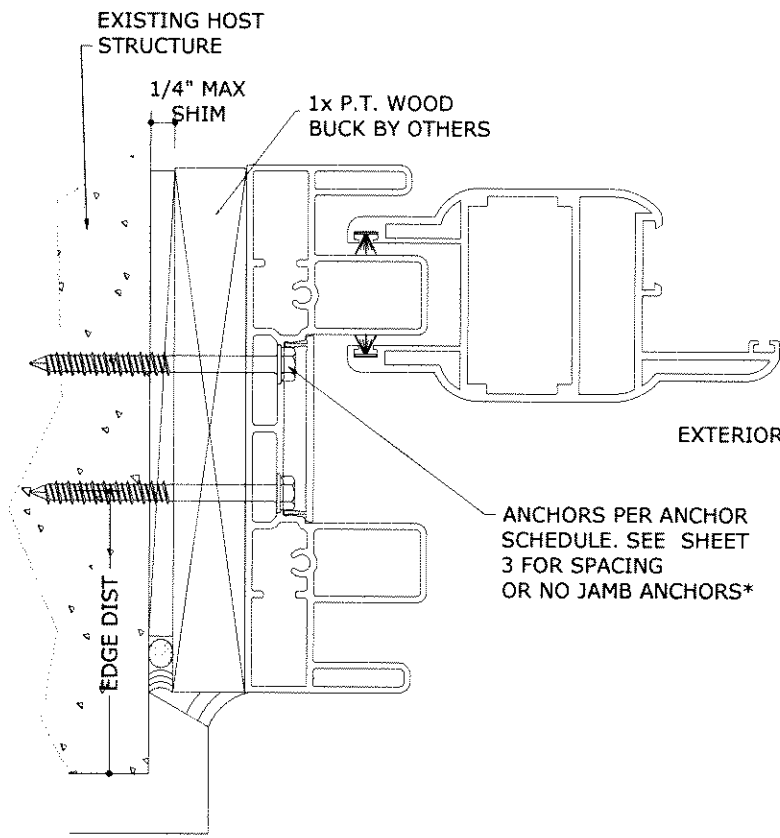
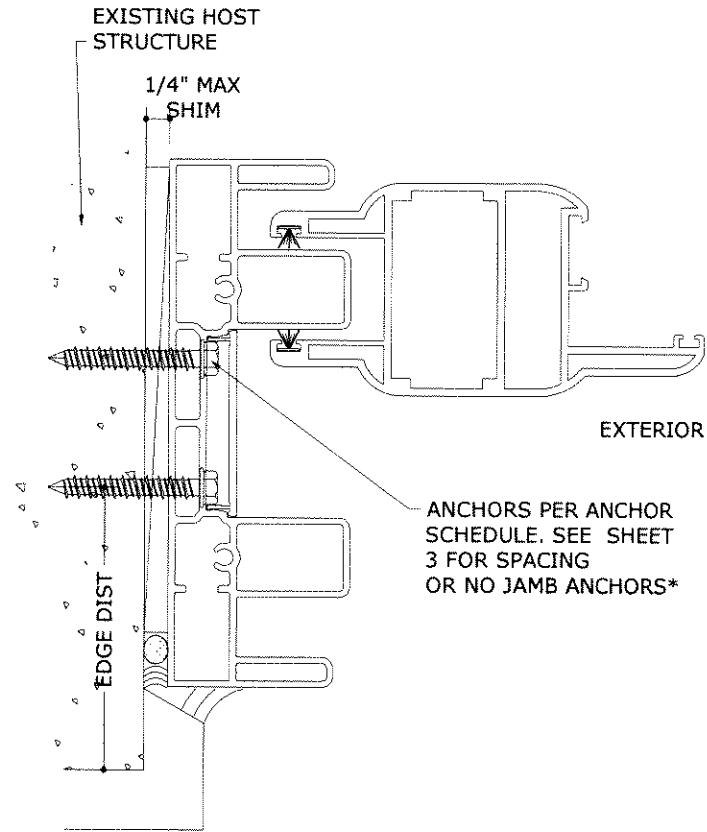
FLORIDA PRODUCT APPROVAL (2) DOORS
2790 NW 104TH COURT, MIAMI, FL
FBC 5TH EDITION (2014) PRODUCT APPROVAL #, FL

REMARKS	DRWN	CHKD	DATE
INIT ISSUE	JEM	AJP	12/16/15
THIS DOCUMENT IS THE PROPERTY OF ENGINEERING EXPRESS. AND SHALL NOT BE REPRODUCED IN WHOLE OR PART WITHOUT WRITTEN CONSENT OF ENGINEERING EXPRESS. ALTERATIONS, ADDITIONS, OR OTHER MARKINGS TO THIS DOCUMENT ARE NOT PERMITTED AND INVALIDATE OUR CERTIFICATION.			

COPYRIGHT ENGINEERING EXPRESS ©
15-2257
SCALE: N.T.S.

V:\Projects\15-2257 Florida Product Approval (2) Doors\Sliding Glass Door 2nd Submittal\Drawings\Product approval - 2nd submittal.dwg joem 04/20/2016 - 5:45pm

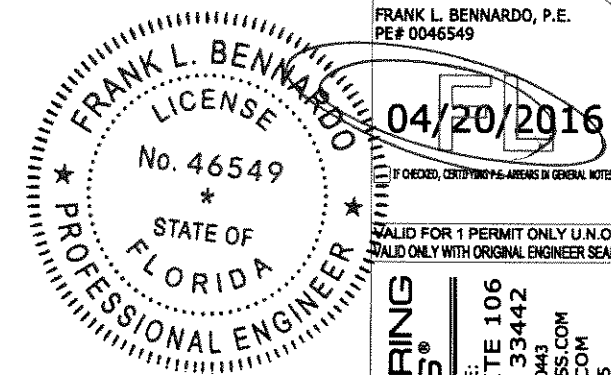
2 TRACK ANCHORING



ALTERNATE 2 TRACK EXTRUSION

WOOD BUCKS AND METAL STRUCTURE NOT BY LA FINESTRA. MUST SUSTAIN LOADS IMPOSED BY GLAZING SYSTEM AND TRANSFER THEM TO THE BUILDING STRUCTURE.

* SEALANT ON JAMBS WITH NO ANCHORS SHALL BE DESIGNED BY OTHERS.



FRANK L. BENNARDO, P.E.
PE# 0046549

04/20/2016

IF CHECKED, CERTIFYING AREAS IN GENERAL NOTES

VALID FOR 1 PERMIT ONLY U.N.O.
VALID ONLY WITH ORIGINAL ENGINEER SEAL

ENGINEERING EXPRESS®
CORPORATE OFFICE:
160 SW 12th AVE, SUITE 106
DEERFIELD BEACH, FL 33442
P: (954) 354-0660 F: (954) 354-0443
E: HELLO@ENGINEERINGEXPRESS.COM
ENGINEERINGEXPRESS.COM
CERT OF AUTH #9885

LA FINESTRA, LC
2790 NW 104TH COURT
DORAL, FL
(305) 599-8093
FLORIDA PRODUCT APPROVAL (2) DOORS
2790 NW 104TH COURT, MIAMI, FL
FBC 5TH EDITION (2014) PRODUCT APPROVAL #, FL

REMARKS	DRWN	CHKD	DATE
INIT ISSUE	JEM	AJP	12/18/15

THIS DOCUMENT IS THE PROPERTY OF ENGINEERING EXPRESS, AND SHALL NOT BE REPRODUCED IN WHOLE OR PART WITHOUT WRITTEN CONSENT OF ENGINEERING EXPRESS. ALTERATIONS, ADDITIONS, OR OTHER MARKINGS TO THIS DOCUMENT ARE NOT PERMITTED AND INVALIDATE OUR CERTIFICATION.

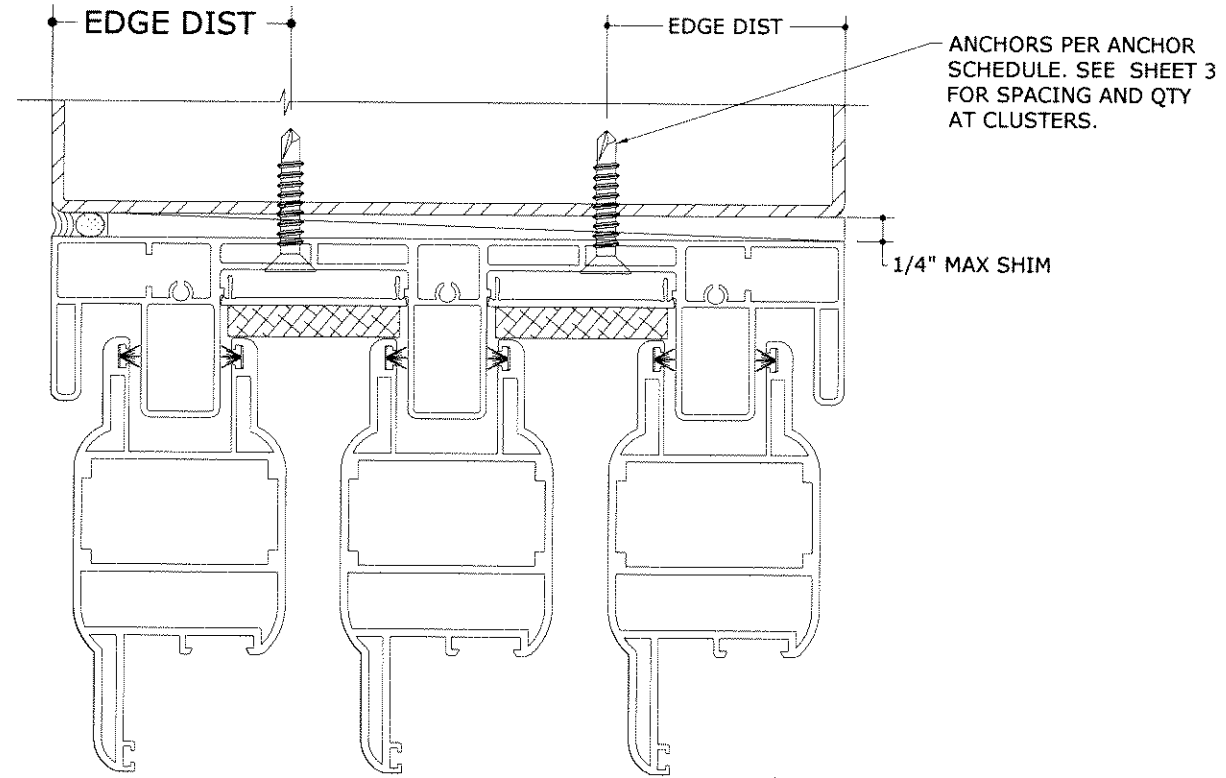
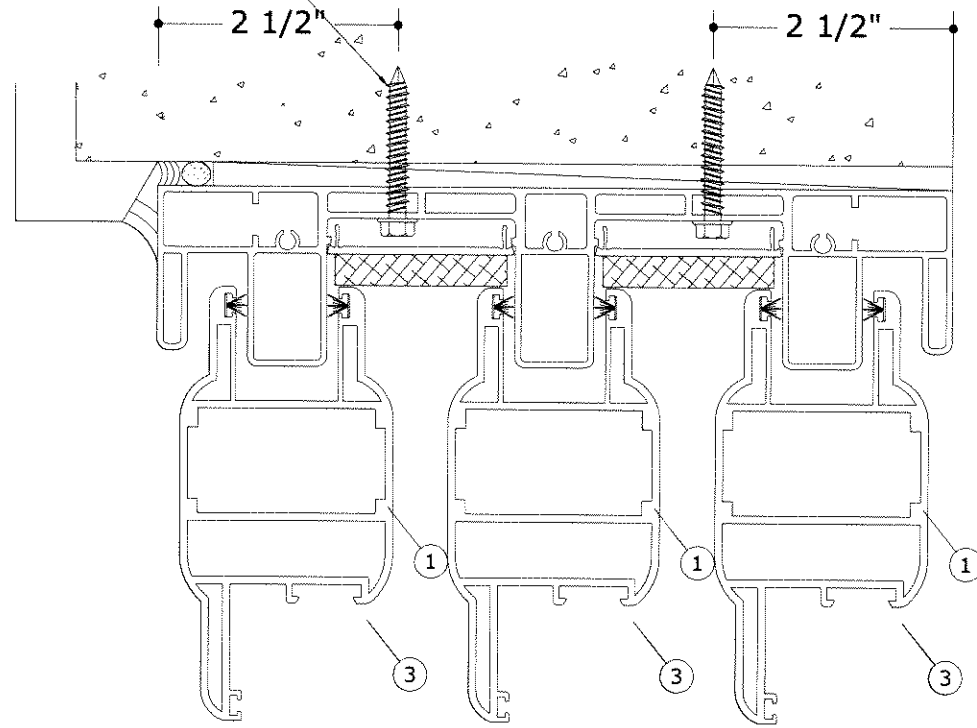
COPYRIGHT ENGINEERING EXPRESS ©

15-2257
SCALE: N.T.S.

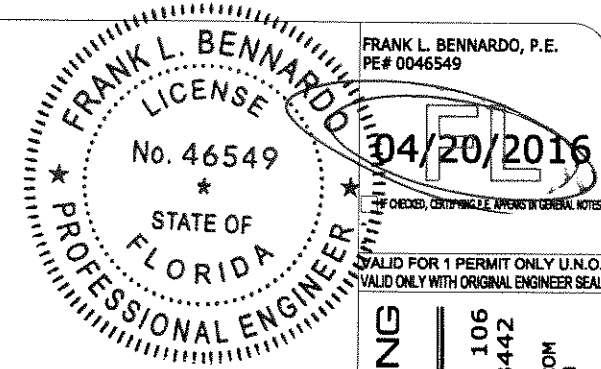
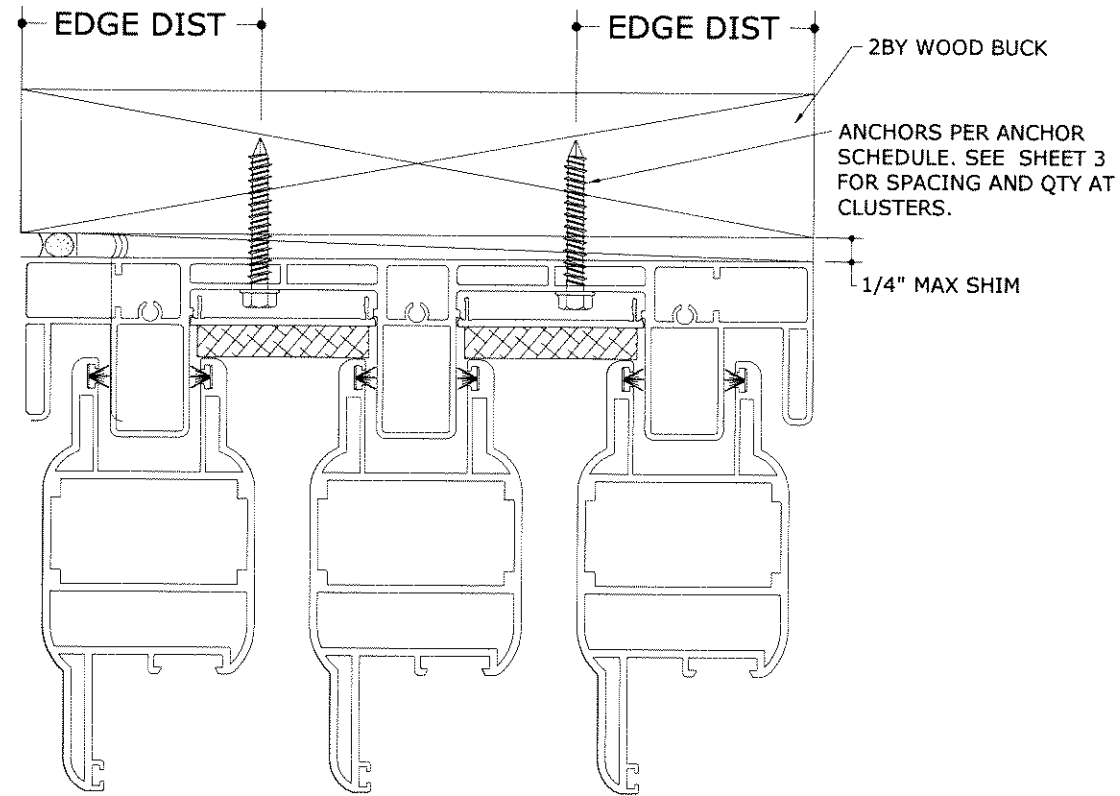
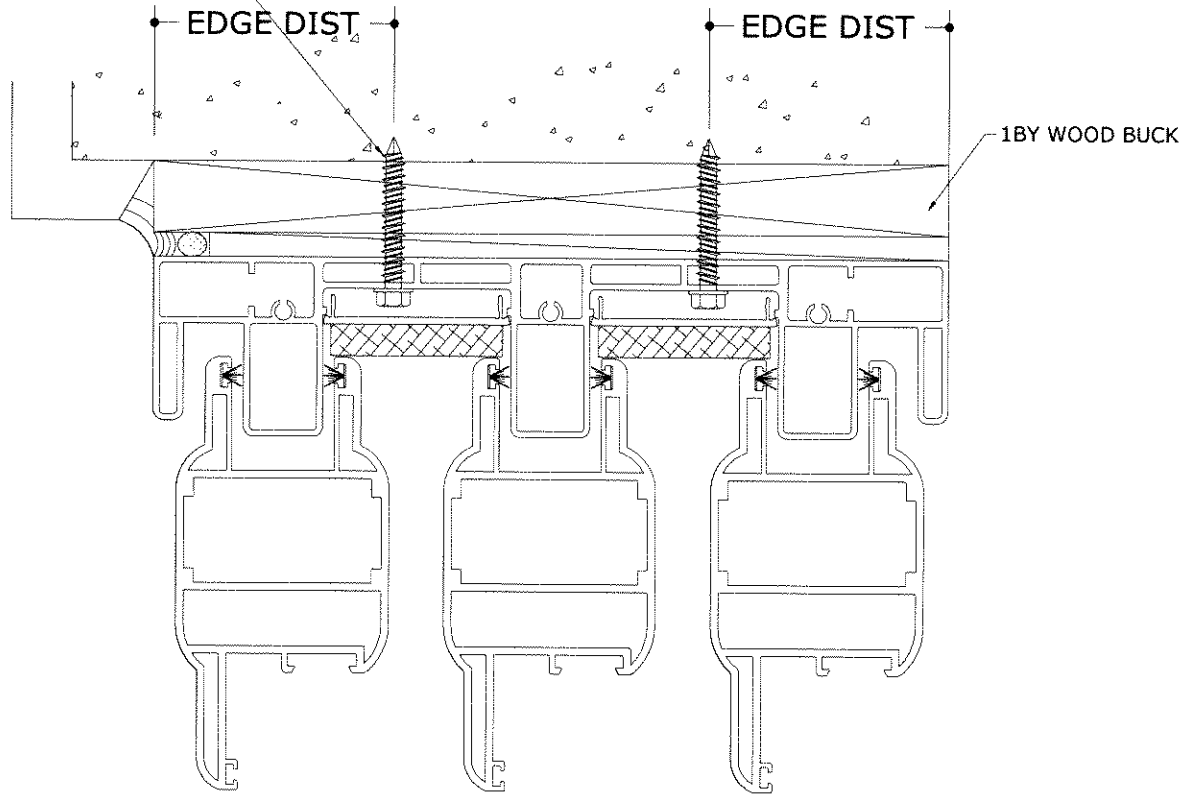
C:\Users\joem\appdata\localtemp\AcPublish_1004415-2257_02c Product approval - 2nd submittal.dwg joem 04/20/2016 - 4:41pm

3 TRACK ANCHORING

ANCHORS PER ANCHOR SCHEDULE. SEE SHEET 3 FOR SPACING AND QTY AT CLUSTERS.



ANCHORS PER ANCHOR SCHEDULE. SEE SHEET 3 FOR SPACING AND QTY AT CLUSTERS.



ENGINEERING EXPRESS
 CORPORATE OFFICE:
 160 SW 12th AVE, SUITE 106
 DEERFIELD BEACH, FL 33442
 P: (954) 354-0660 F: (954) 354-0443
 E: HELLO@ENGINEERINGEXPRESS.COM
 ENGINEERINGEXPRESS.COM
 CERT OF AUTH #9885

LA FINESTRA, LC
 2790 NW 104TH COURT
 DORAL, FL
 (305) 599-8093
 FLORIDA PRODUCT APPROVAL (2) DOORS
 2790 NW 104TH COURT, MIAMI, FL
 FBC 5TH EDITION (2014) PRODUCT APPROVAL #, FL

ALTERNATE 3 TRACK EXTRUSION

REMARKS	DRWN	CHKD	DATE
INIT ISSUE	JEM	AJP	12/18/15

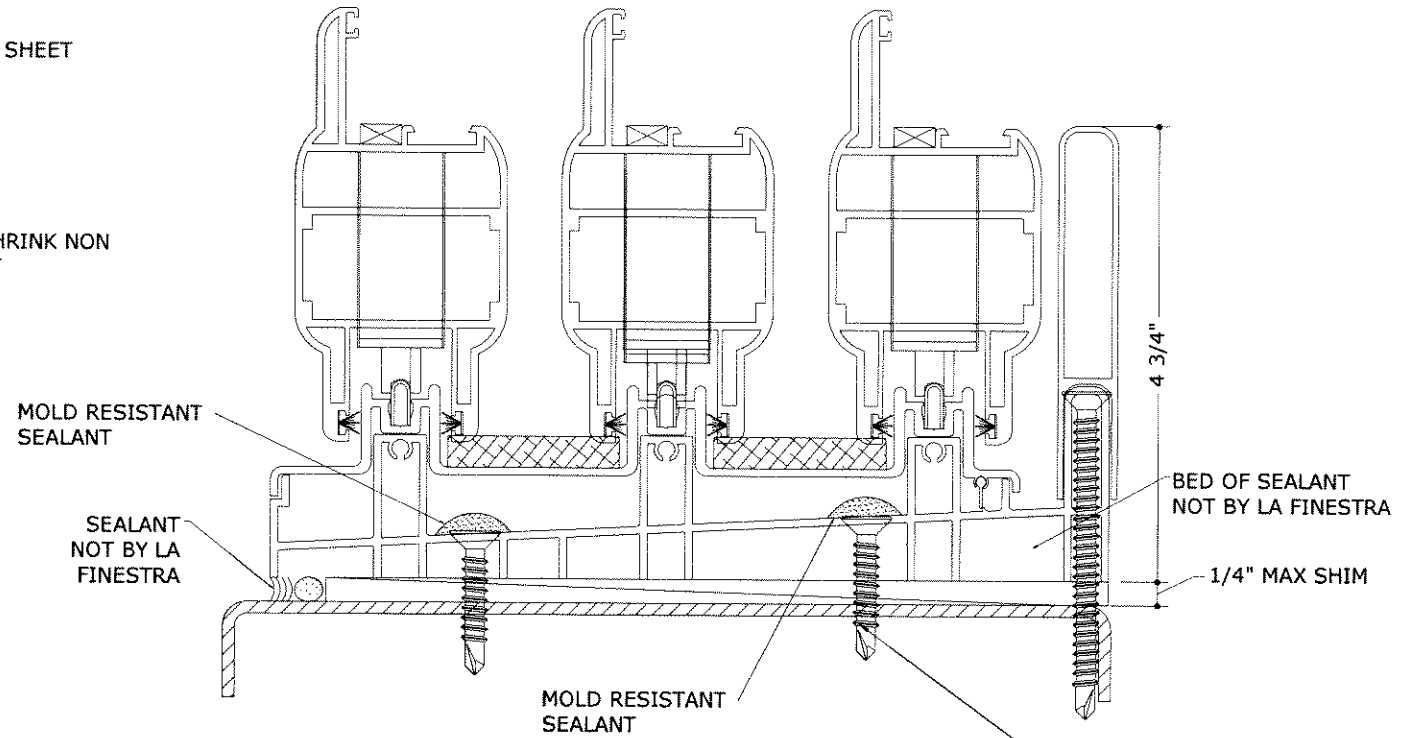
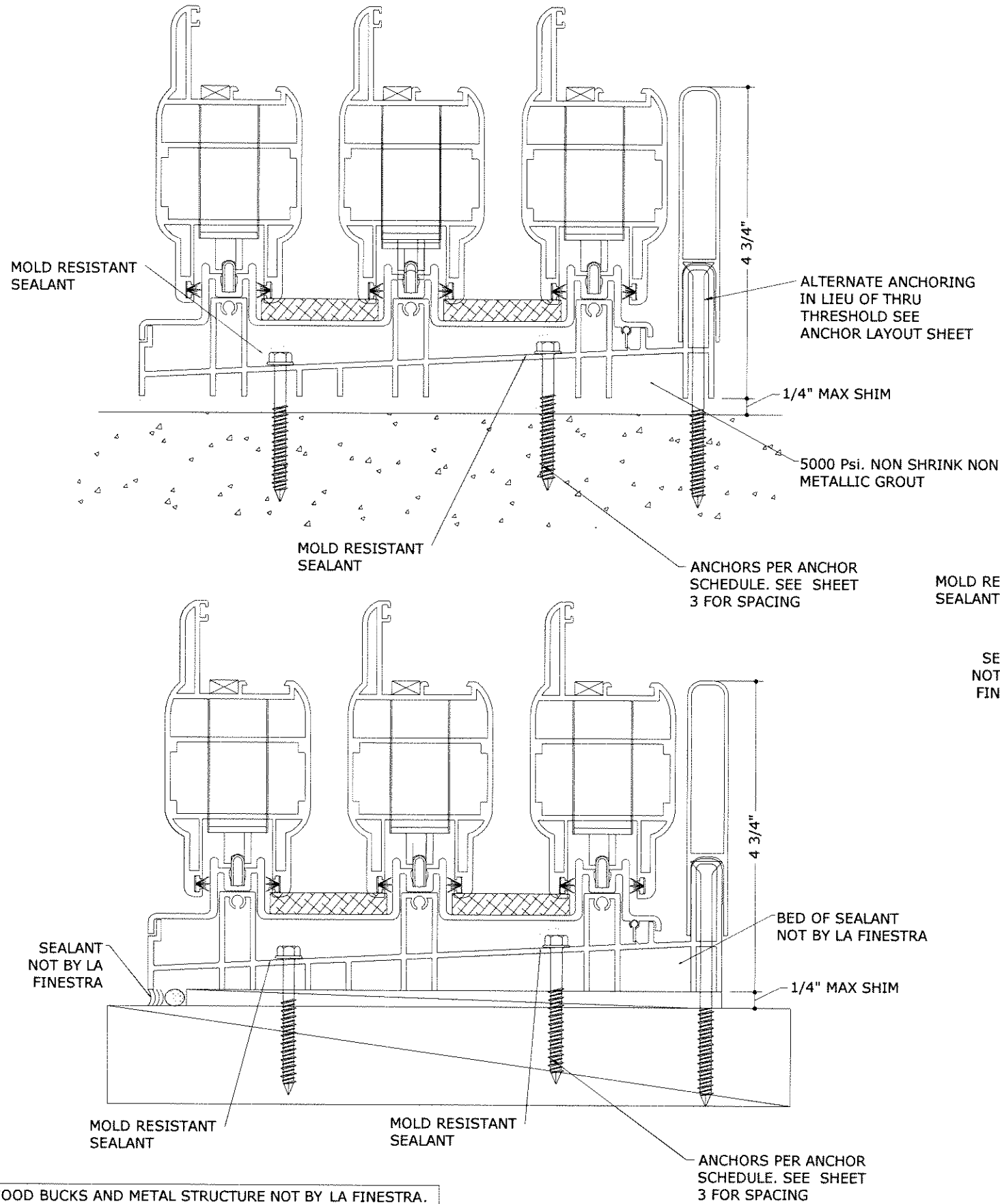
THIS DOCUMENT IS THE PROPERTY OF ENGINEERING EXPRESS, AND SHALL NOT BE REPRODUCED IN WHOLE OR PART WITHOUT WRITTEN CONSENT OF ENGINEERING EXPRESS. ALTERATIONS, ADDITIONS, OR OTHER MARKINGS TO THIS DOCUMENT ARE NOT PERMITTED AND INVALIDATE OUR CERTIFICATION.

COPYRIGHT ENGINEERING EXPRESS
 15-2257
 SCALE: N.T.S.

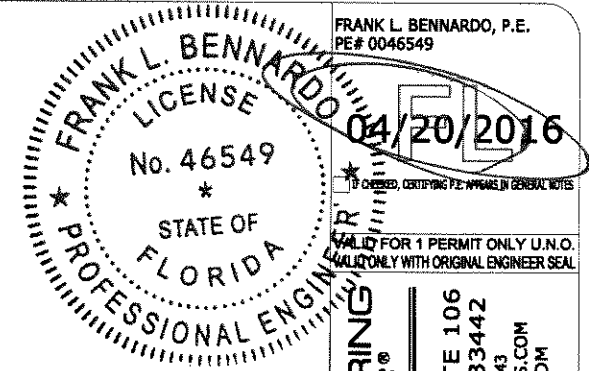
WOOD BUCKS AND METAL STRUCTURE NOT BY LA FINESTRA. MUST SUSTAIN LOADS IMPOSED BY GLAZING SYSTEM AND TRANSFER THEM TO THE BUILDING STRUCTURE.

C:\Users\joem\appdata\local\temp\AcPublish_10044115-2257_02c Product approval - 2nd submittal.dwg joem 04/20/2016 - 4:41pm

3 TRACK ANCHORING



WOOD BUCKS AND METAL STRUCTURE NOT BY LA FINESTRA. MUST SUSTAIN LOADS IMPOSED BY GLAZING SYSTEM AND TRANSFER THEM TO THE BUILDING STRUCTURE.



ENGINEERING EXPRESS
 CORPORATE OFFICE:
 160 SW 12th AVE, SUITE 106
 DEERFIELD BEACH, FL 33442
 P: (954) 354-0660 F: (954) 354-0443
 E: HELLO@ENGINEERINGEXPRESS.COM
 ENGINEERINGEXPRESS.COM
 CERT OF AUTH #9885

LA FINESTRA, LC
 2790 NW 104TH COURT
 DORAL, FL
 (305) 599-8093

FLORIDA PRODUCT APPROVAL (2) DOORS
 2790 NW 104TH COURT, MIAMI, FL
 FBC 5TH EDITION (2014) PRODUCT APPROVAL #, FL

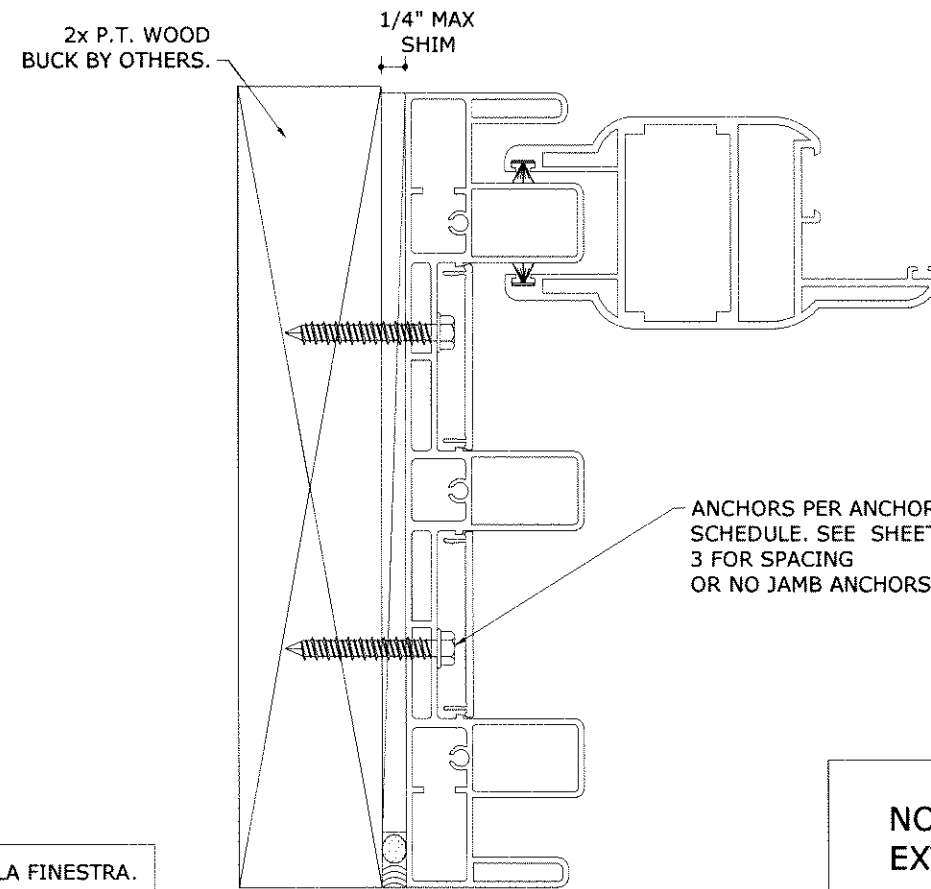
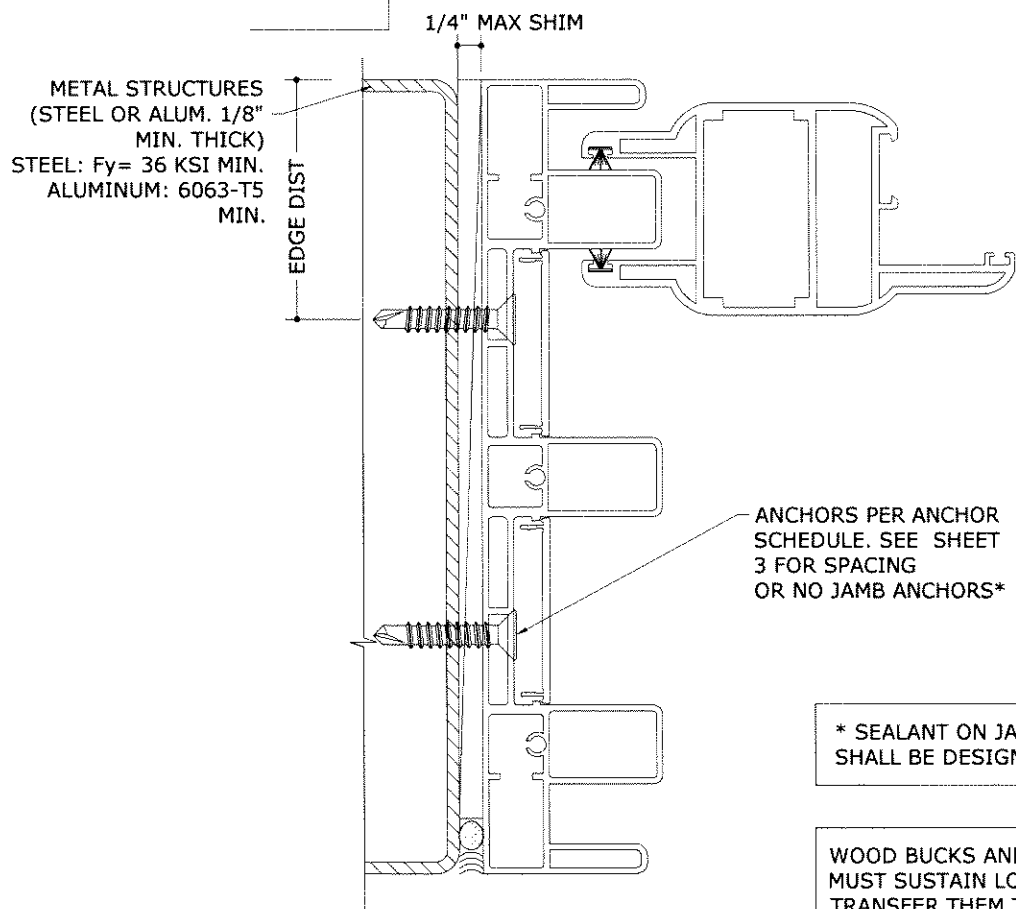
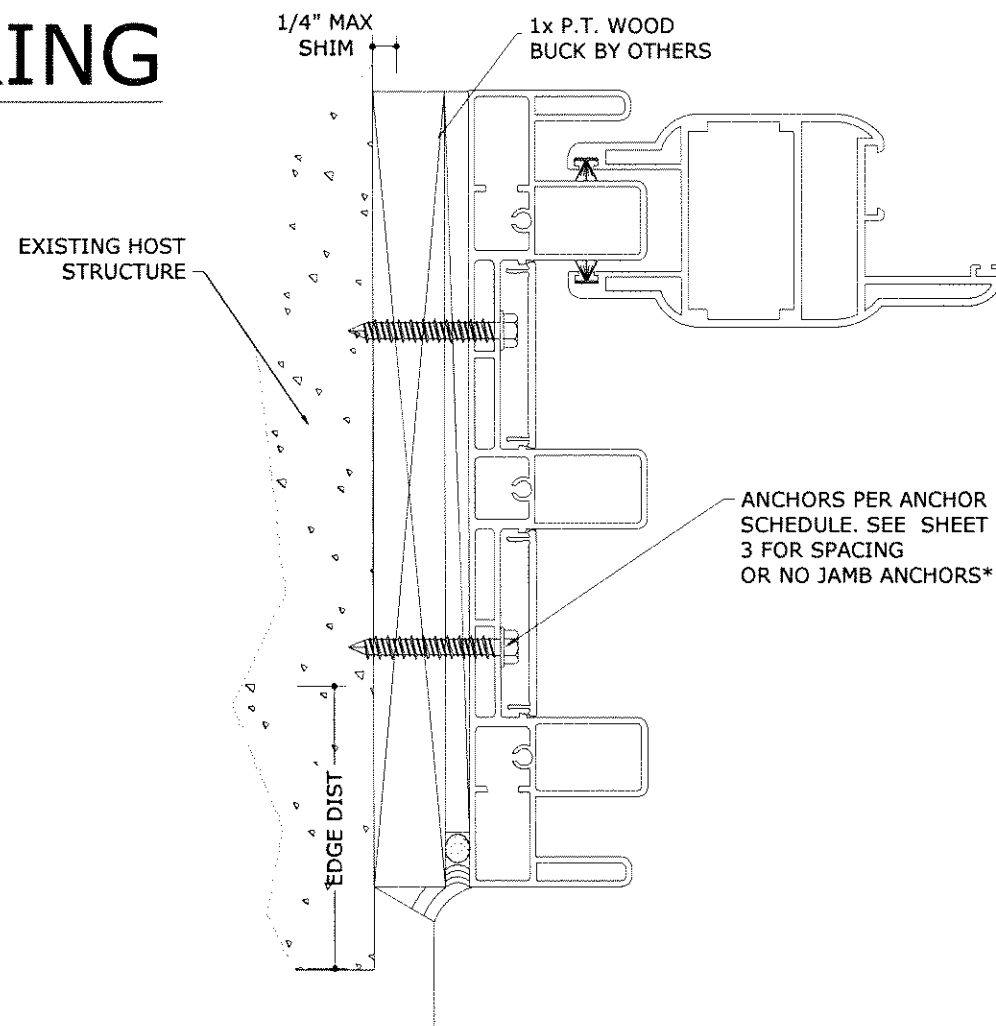
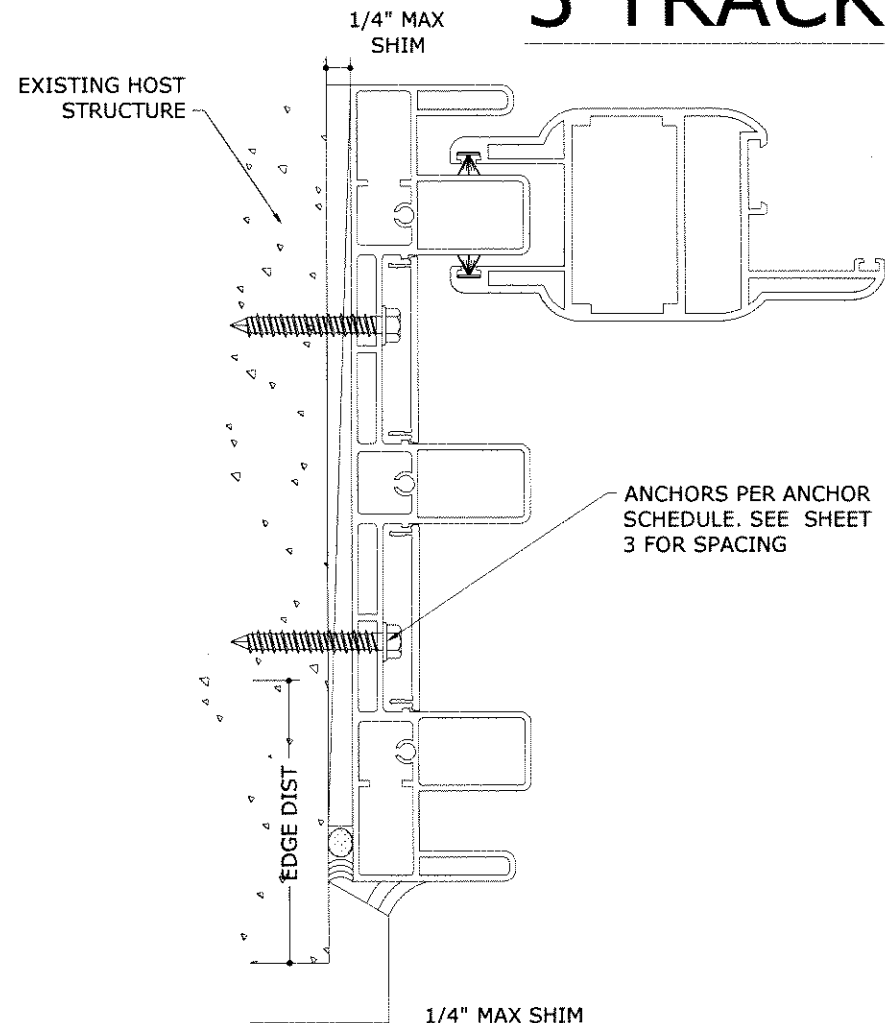
REMARKS	DATE
INIT ISSUE	12/18/15
DRWN CHKD	
JEM AJP	

THIS DOCUMENT IS THE PROPERTY OF ENGINEERING EXPRESS, AND SHALL NOT BE REPRODUCED IN WHOLE OR PART WITHOUT WRITTEN CONSENT OF ENGINEERING EXPRESS. ALTERATIONS, ADDITIONS, OR OTHER CHANGES TO THIS DOCUMENT ARE NOT PERMITTED AND INVALIDATE OUR CERTIFICATION.

15-2257
 SCALE: N.T.S.

V:\Projects\15-2257 Florida Product Approval (2) Doors\Sliding Glass Door 2nd Submittal\Drawings\Product approval - 2nd submittal.dwg
 joem
 04/20/2016 - 5:45pm

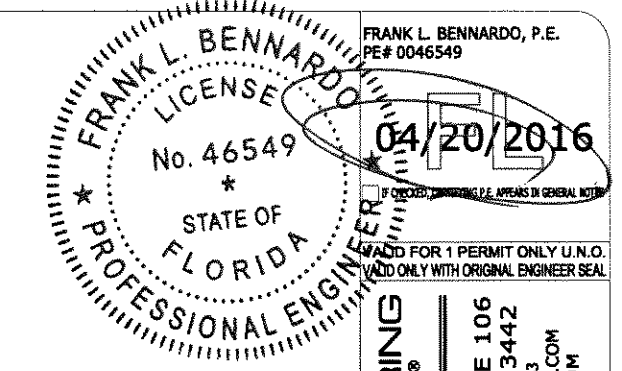
3 TRACK ANCHORING



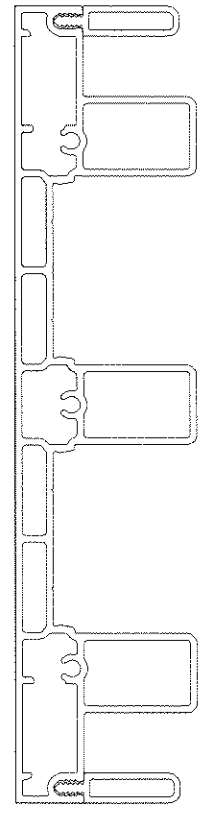
* SEALANT ON JAMBS WITH NO ANCHORS SHALL BE DESIGNED BY OTHERS.

WOOD BUCKS AND METAL STRUCTURE NOT BY LA FINESTRA. MUST SUSTAIN LOADS IMPOSED BY GLAZING SYSTEM AND TRANSFER THEM TO THE BUILDING STRUCTURE.

NOTE:
EXTRUSIONS NOT TO SCALE.



ENGINEERING EXPRESS®
CORPORATE OFFICE:
160 SW 12th AVE, SUITE 106
DEERFIELD BEACH, FL 33442
P: (954) 354-0660 F: (954) 354-0443
E: HELLO@ENGINEERINGEXPRESS.COM
ENGINEERINGEXPRESS.COM
CERT OF AUTH #9885



ALTERNATE 3 TRACK EXTRUSION

LA FINESTRA, LC
2790 NW 104TH COURT
DORAL, FL
(305) 599-8093
FLORIDA PRODUCT APPROVAL (2) DOORS
2790 NW 104TH COURT, MIAMI, FL
FBC 5TH EDITION (2014) PRODUCT APPROVAL #, FL

REMARKS	DRWN	CHKD	DATE
INIT ISSUE	JEM	AJP	12/18/15

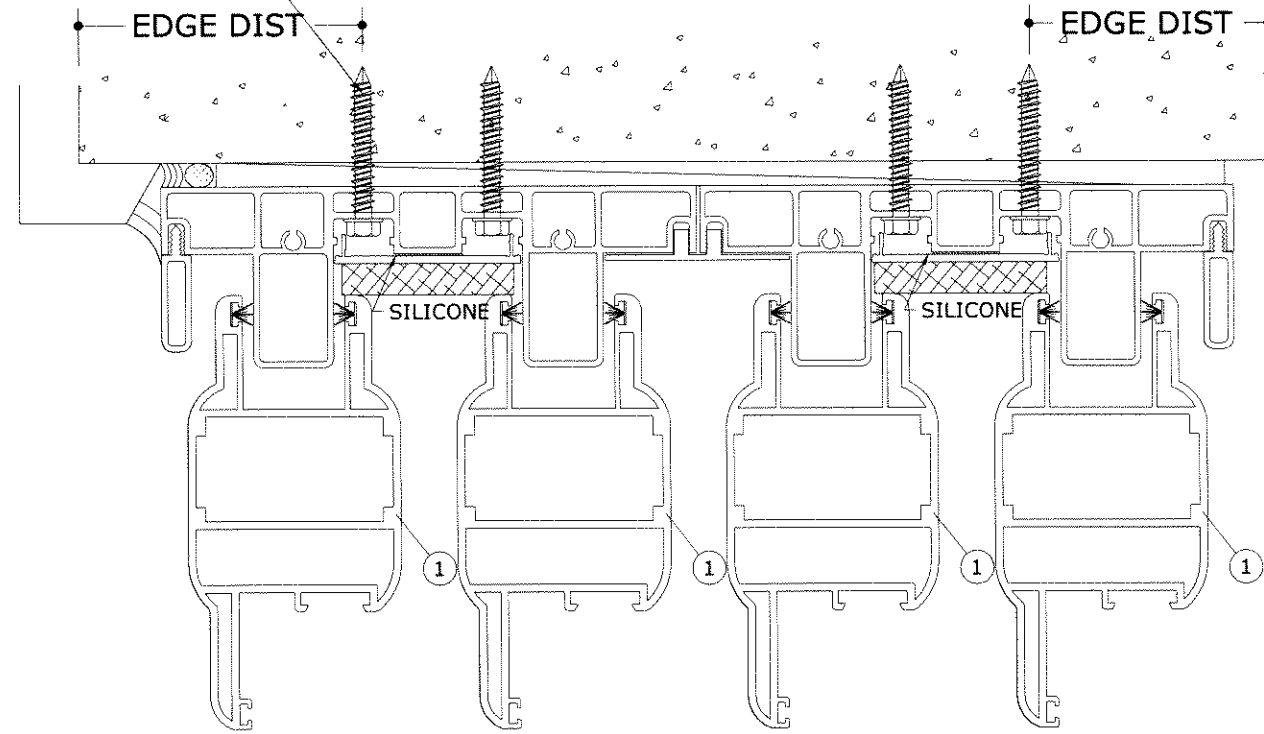
THIS DOCUMENT IS THE PROPERTY OF ENGINEERING EXPRESS AND SHALL NOT BE REPRODUCED IN WHOLE OR PART WITHOUT WRITTEN CONSENT OF ENGINEERING EXPRESS. ALTERATIONS, ADDITIONS, OR OTHER MARKINGS TO THIS DOCUMENT ARE NOT PERMITTED AND INVALIDATE OUR CERTIFICATION.

COPYRIGHT ENGINEERING EXPRESS®
15-2257
SCALE: N.T.S.

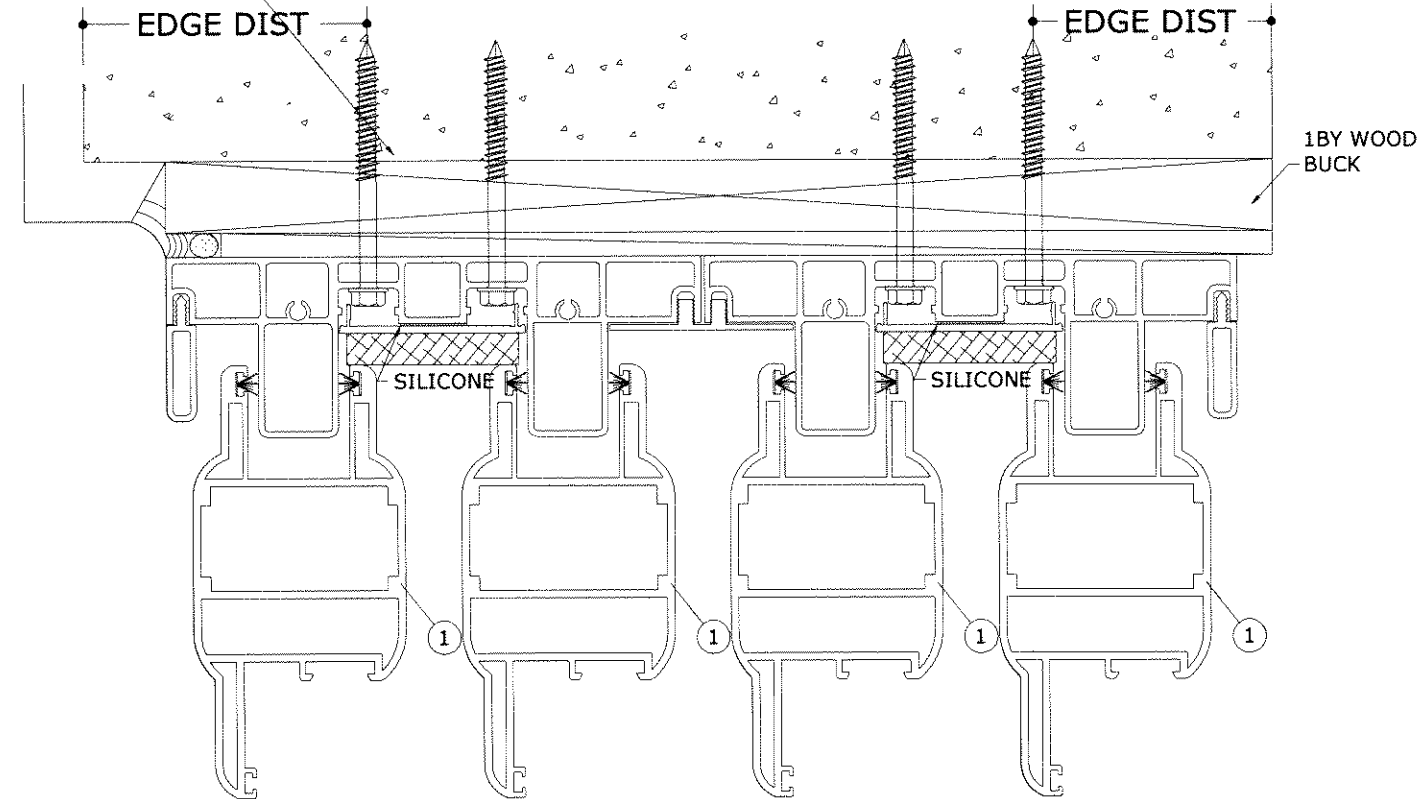
C:\Users\joem\appdata\local\temp\AcPublish_1004115-2257_02c Product approval - 2nd submittal.dwg joem 04/20/2016 - 4:41pm

4 TRACK ANCHORING

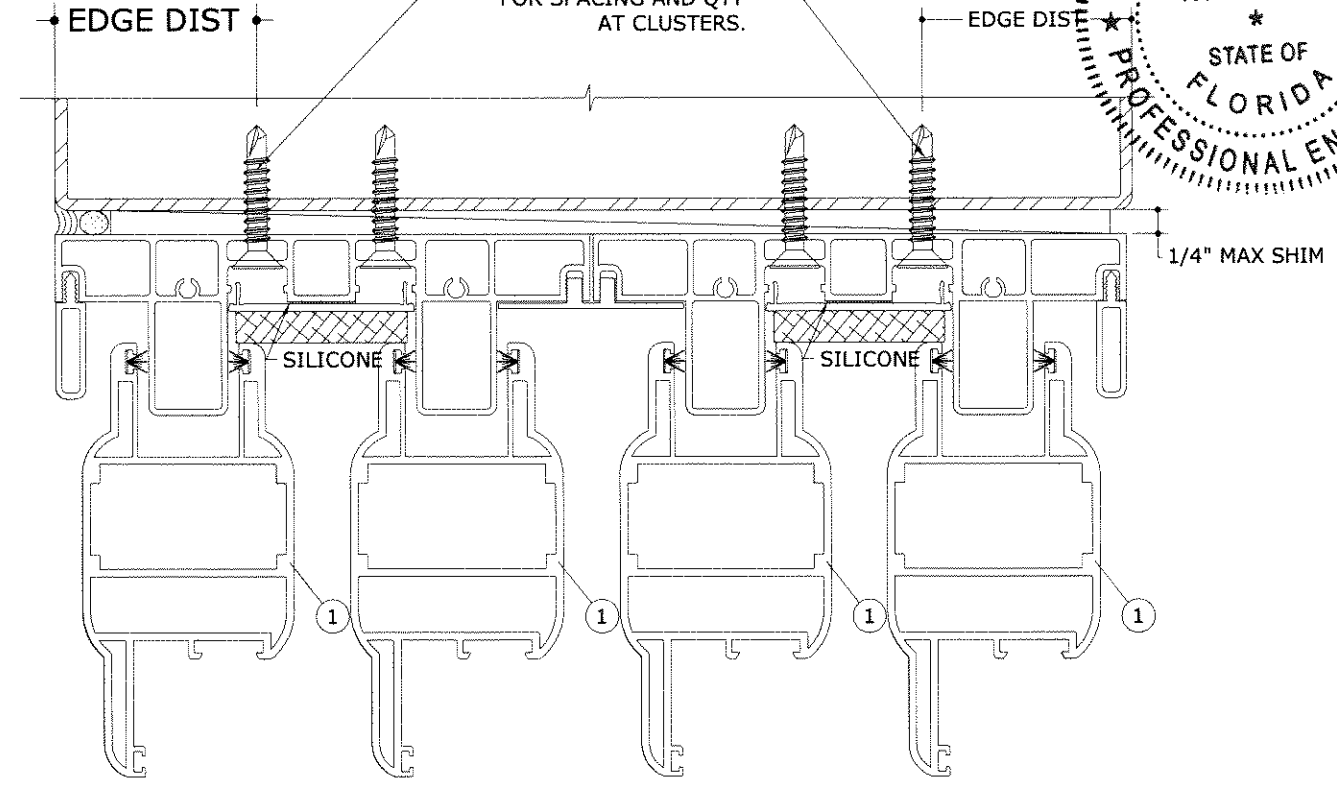
ANCHORS PER ANCHOR SCHEDULE. SEE SHEET 3 FOR SPACING AND QTY AT CLUSTERS.



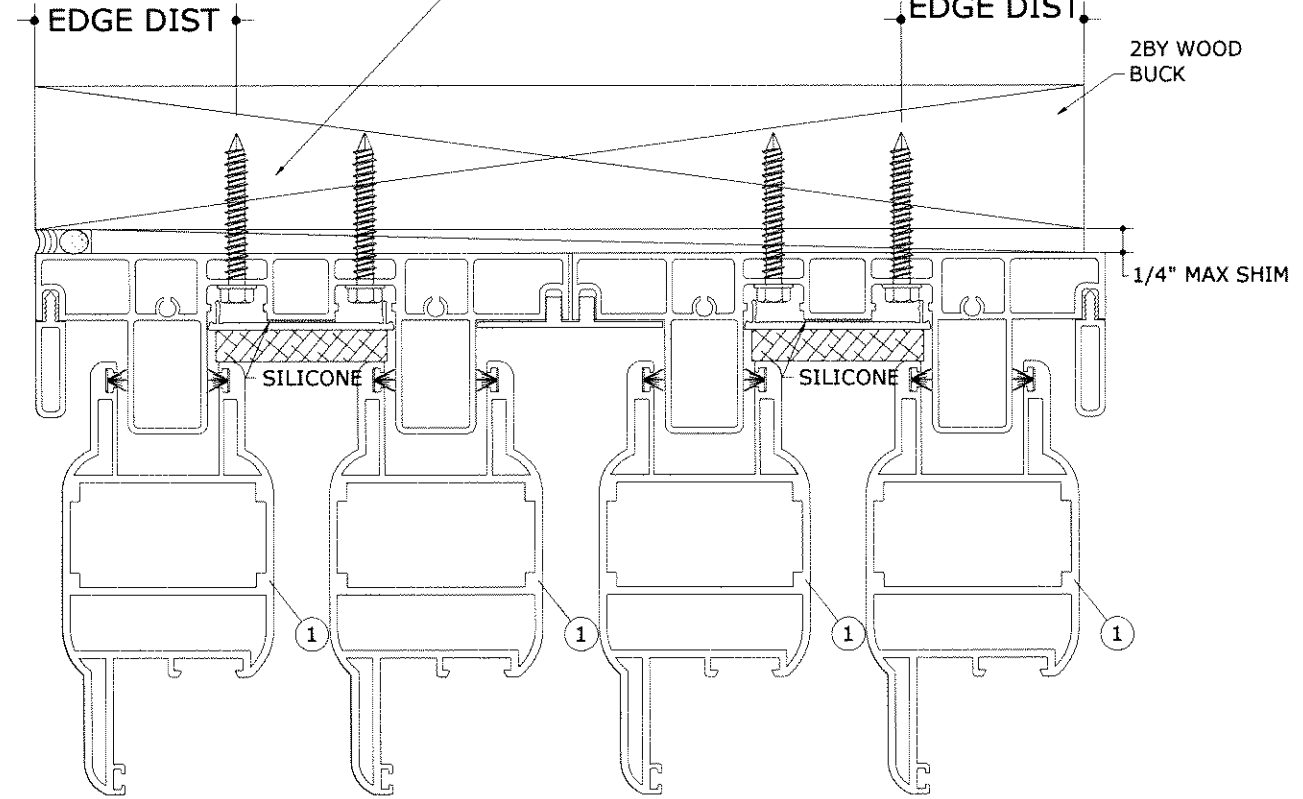
ANCHORS PER ANCHOR SCHEDULE. SEE SHEET 3 FOR SPACING AND QTY AT CLUSTERS.



ANCHORS PER ANCHOR SCHEDULE. SEE SHEET 3 FOR SPACING AND QTY AT CLUSTERS.

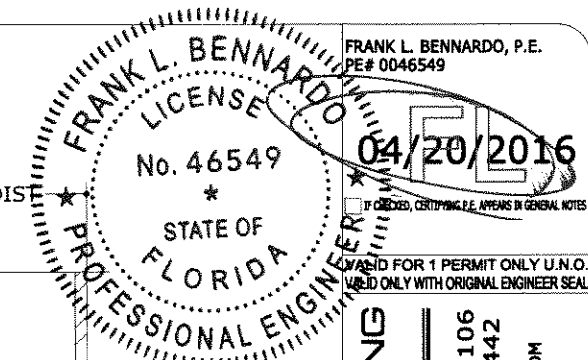


ANCHORS PER ANCHOR SCHEDULE. SEE SHEET 3 FOR SPACING AND QTY AT CLUSTERS.



WOOD BUCKS AND METAL STRUCTURE NOT BY LA FINESTRA. MUST SUSTAIN LOADS IMPOSED BY GLAZING SYSTEM AND TRANSFER THEM TO THE BUILDING STRUCTURE.

NOTE:
EXTRUSIONS NOT TO SCALE.



ENGINEERING EXPRESS
 CORPORATE OFFICE:
 160 SW 12th AVE, SUITE 106
 DEERFIELD BEACH, FL 33442
 P: (954) 354-0660 F: (954) 354-0443
 E: HELLO@ENGINEERINGEXPRESS.COM
 ENGINEERINGEXPRESS.COM
 CERT OF AUTH #9885

LA FINESTRA, LC
 2790 NW 104TH COURT
 DORAL, FL
 (305) 599-8093
 FLORIDA PRODUCT APPROVAL (2) DOORS
 2790 NW 104TH COURT, MIAMI, FL
 FBC 5TH EDITION (2014) PRODUCT APPROVAL #, FL

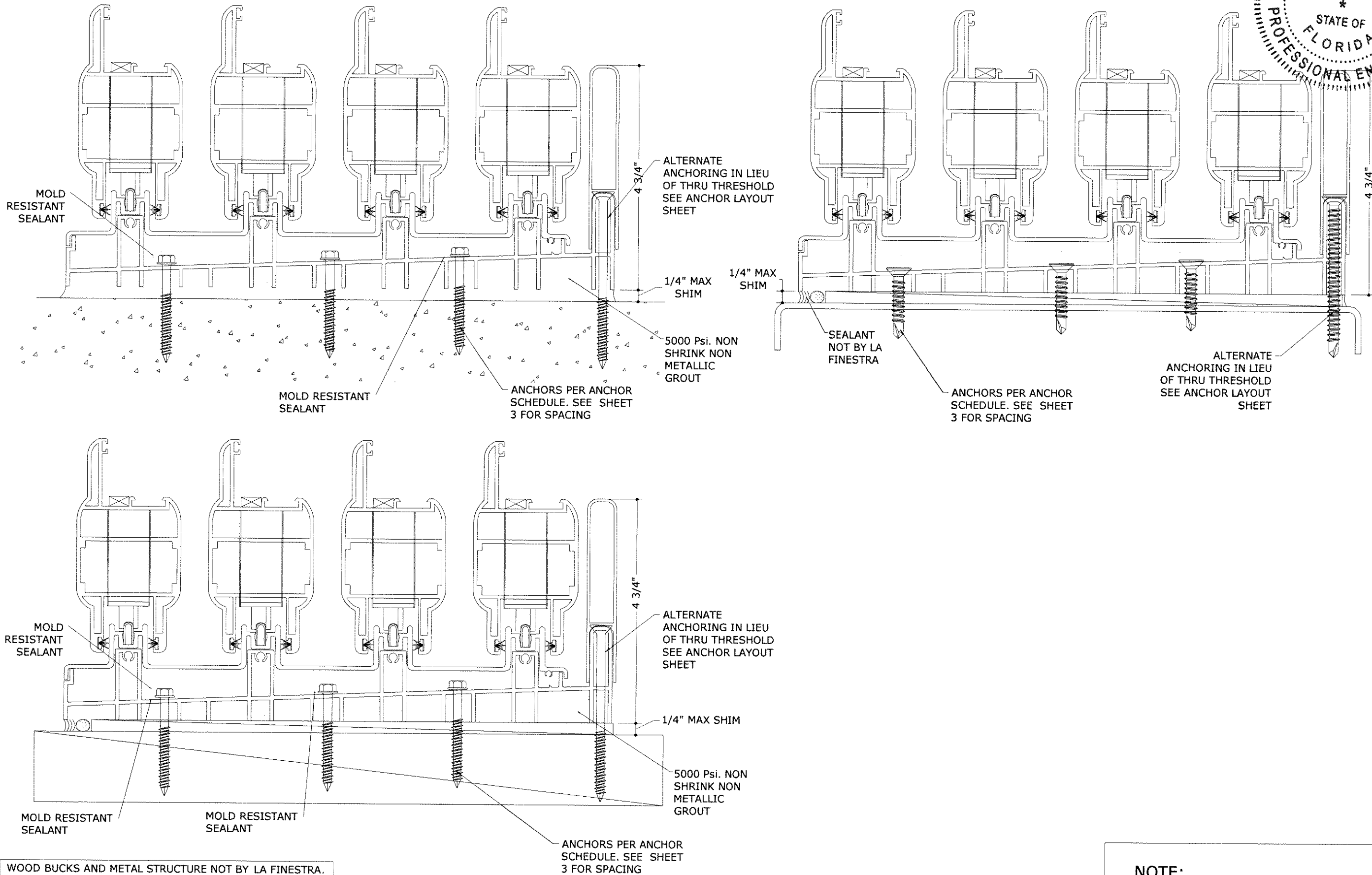
REMARKS	DRWN	CHKD	DATE
INIT ISSUE	JEM	AJP	12/16/15

THIS DOCUMENT IS THE PROPERTY OF ENGINEERING EXPRESS AND SHALL NOT BE REPRODUCED IN WHOLE OR PART WITHOUT WRITTEN CONSENT OF ENGINEERING EXPRESS. ALTERATIONS, ADDITIONS, OR OTHER MARKINGS TO THIS DOCUMENT ARE NOT PERMITTED AND INVALIDATE OUR CERTIFICATION.

COPYRIGHT ENGINEERING EXPRESS ©
 15-2257
 SCALE: N.T.S.
 18 of 28

C:\Users\joem\appdata\localtemp\AcPublish_10044115-2257_02c Product approval - 2nd submittal.dwg joem 04/20/2016 - 4:41pm

4 TRACK ANCHORING



WOOD BUCKS AND METAL STRUCTURE NOT BY LA FINESTRA. MUST SUSTAIN LOADS IMPOSED BY GLAZING SYSTEM AND TRANSFER THEM TO THE BUILDING STRUCTURE.

NOTE:
EXTRUSIONS NOT TO SCALE.

FRANK L. BENNARDO, P.E.
PE# 0046549

FRANK L. BENNARDO
LICENSE
No. 46549
STATE OF
FLORIDA
PROFESSIONAL ENGINEER

04/20/2016

VALID FOR 1 PERMIT ONLY U.N.O.
VALID ONLY WITH ORIGINAL ENGINEER SEAL

EX ENGINEERING EXPRESS®

CORPORATE OFFICE:
160 SW 12th AVE, SUITE 106
DEERFIELD BEACH, FL 33442
P: (954) 354-0660 F: (954) 354-0443
E: HELLO@ENGINEERINGEXPRESS.COM
ENGINEERINGEXPRESS.COM
CERT OF AUTH # 9885

LA FINESTRA, LC
2790 NW 104TH COURT
DORAL, FL
(305) 599-8093

FLORIDA PRODUCT APPROVAL (2) DOORS
2790 NW 104TH COURT, MIAMI, FL
FBC 5TH EDITION (2014) PRODUCT APPROVAL #, FL

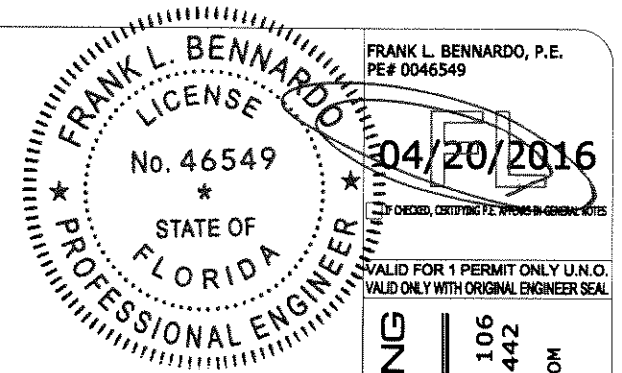
REMARKS	DRWN	CHKD	DATE
INIT ISSUE	JEM	AJP	12/18/15

THIS DOCUMENT IS THE PROPERTY OF ENGINEERING EXPRESS, AND SHALL NOT BE REPRODUCED IN WHOLE OR PART WITHOUT WRITTEN CONSENT OF ENGINEERING EXPRESS. ALTERATIONS, ADDITIONS, OR OTHER MARKINGS TO THIS DOCUMENT ARE NOT PERMITTED AND INVALIDATE OUR CERTIFICATION.

COPYRIGHT ENGINEERING EXPRESS®
15-2257
SCALE: N.T.S.

V:\Projects\15-2257 Florida Product Approval (2) Doors\Sliding Glass Door 2nd Submittal\Drawings\Product approval - 2nd Submittal.dwg
04/20/2016 - 5:45pm
jem

4 TRACK ANCHORING



FRANK L. BENNARDO, P.E.
PE# 0046549

04/20/2016

BY CHECKED, CERTIFYING P.E. APPROVED GENERAL NOTES

VALID FOR 1 PERMIT ONLY U.N.O.
VALID ONLY WITH ORIGINAL ENGINEER SEAL

ENGINEERING EXPRESS®
CORPORATE OFFICE:
160 SW 12th AVE, SUITE 106
DEERFIELD BEACH, FL 33442
P: (954) 354-0660 F: (954) 354-0443
E: HELLO@ENGINEERINGEXPRESS.COM
ENGINEERINGEXPRESS.COM
CERT OF AUTH #9885

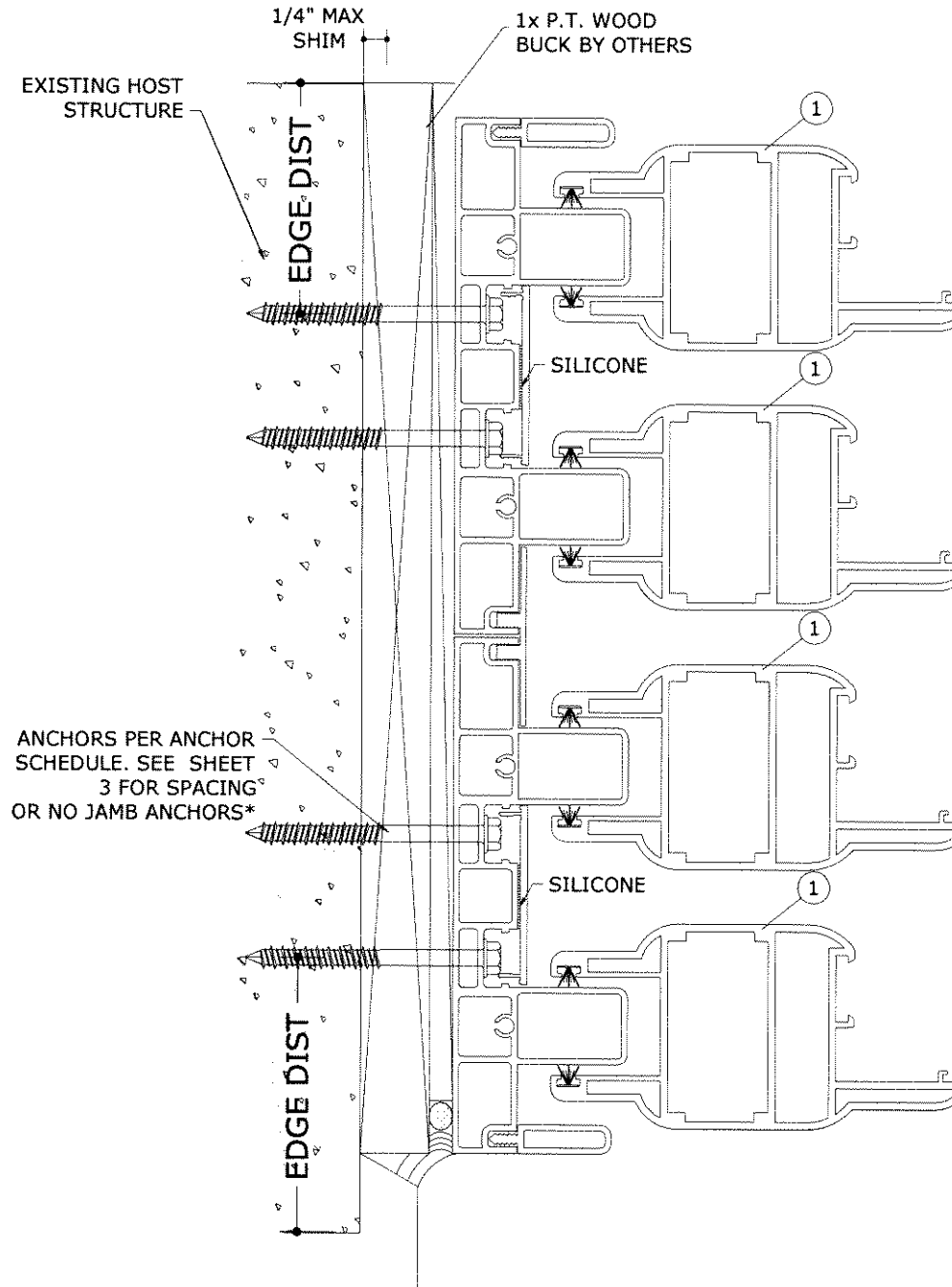
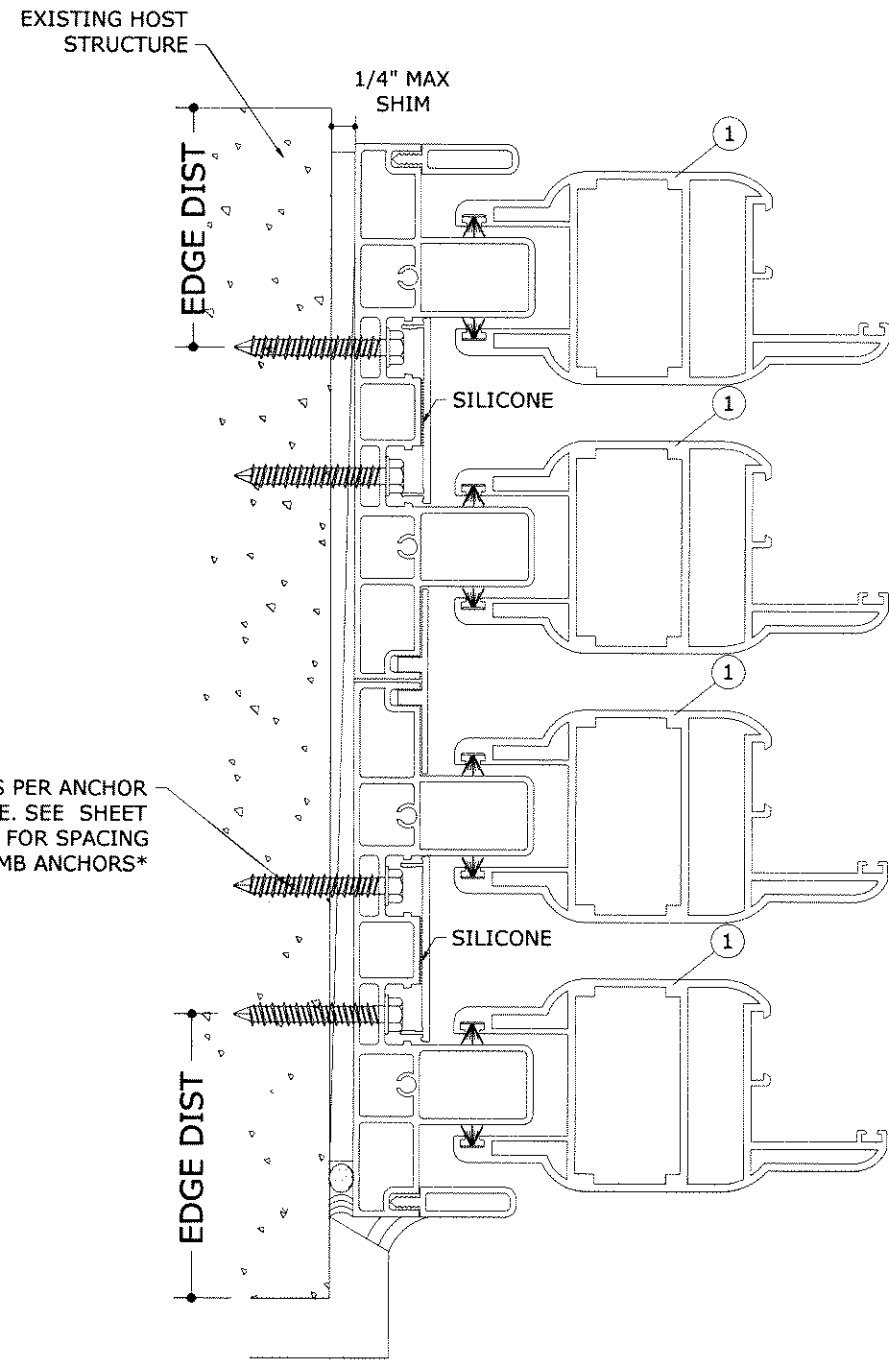
LA FINESTRA, LC
2790 NW 104TH COURT
DORAL, FL
(305) 599-8093
FLORIDA PRODUCT APPROVAL (2) DOORS
2790 NW 104TH COURT, MIAMI, FL
FBC 5TH EDITION (2014) PRODUCT APPROVAL #, FL

REMARKS	DRWN	CHKD	DATE
INIT ISSUE	JEM	AJP	12/16/15

THIS DOCUMENT IS THE PROPERTY OF ENGINEERING EXPRESS, AND SHALL NOT BE REPRODUCED IN WHOLE OR PART WITHOUT WRITTEN CONSENT OF ENGINEERING EXPRESS. ALTERATIONS, ADDITIONS, OR OTHER MARKINGS TO THIS DOCUMENT ARE NOT PERMITTED AND INVALIDATE OUR CERTIFICATION.

COPYRIGHT ENGINEERING EXPRESS®
15-2257
SCALE: N.T.S.

20 OF 28



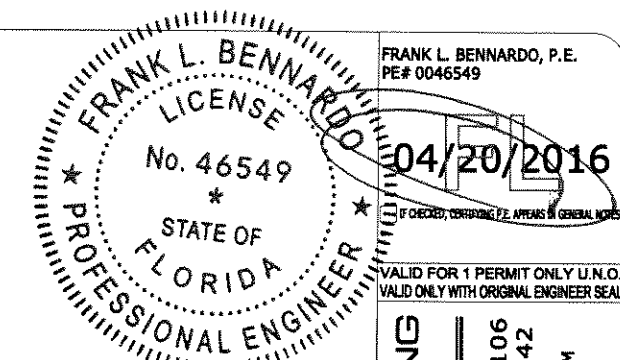
ANCHORS PER ANCHOR SCHEDULE. SEE SHEET 3 FOR SPACING OR NO JAMB ANCHORS*

ANCHORS PER ANCHOR SCHEDULE. SEE SHEET 3 FOR SPACING OR NO JAMB ANCHORS*

* SEALANT ON JAMBS WITH NO ANCHORS SHALL BE DESIGNED BY OTHERS.

NOTE:
EXTRUSIONS NOT TO SCALE.

4 TRACK ANCHORING



FRANK L. BENNARDO, P.E.
PE# 0046549
04/20/2016
VALID FOR 1 PERMIT ONLY U.N.O.
VALID ONLY WITH ORIGINAL ENGINEER SEAL

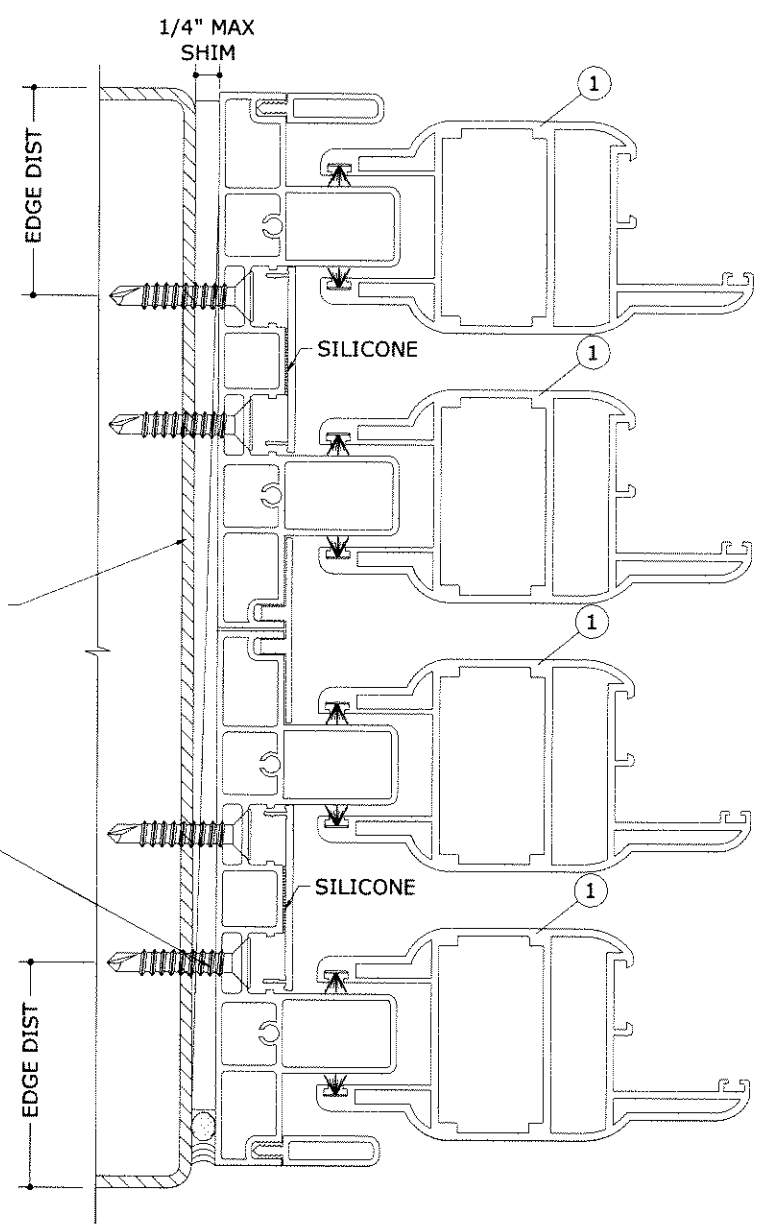
ENGINEERING EXPRESS®
CORPORATE OFFICE:
160 SW 12th AVE, SUITE 106
DEERFIELD BEACH, FL 33442
P: (954) 354-0660 F: (954) 354-0443
E: HELLO@ENGINEERINGEXPRESS.COM
ENGINEERINGEXPRESS.COM
CERT OF AUTH #9885

LA FINESTRA, LC
2790 NW 104TH COURT
DORAL, FL
(305) 599-8093
FLORIDA PRODUCT APPROVAL (2) DOORS
2790 NW 104TH COURT, MIAMI, FL
FBC 5TH EDITION (2014) PRODUCT APPROVAL #, FL

REMARKS	DRWN	CHKD	DATE
INIT ISSUE	JEM	AJP	12/18/15

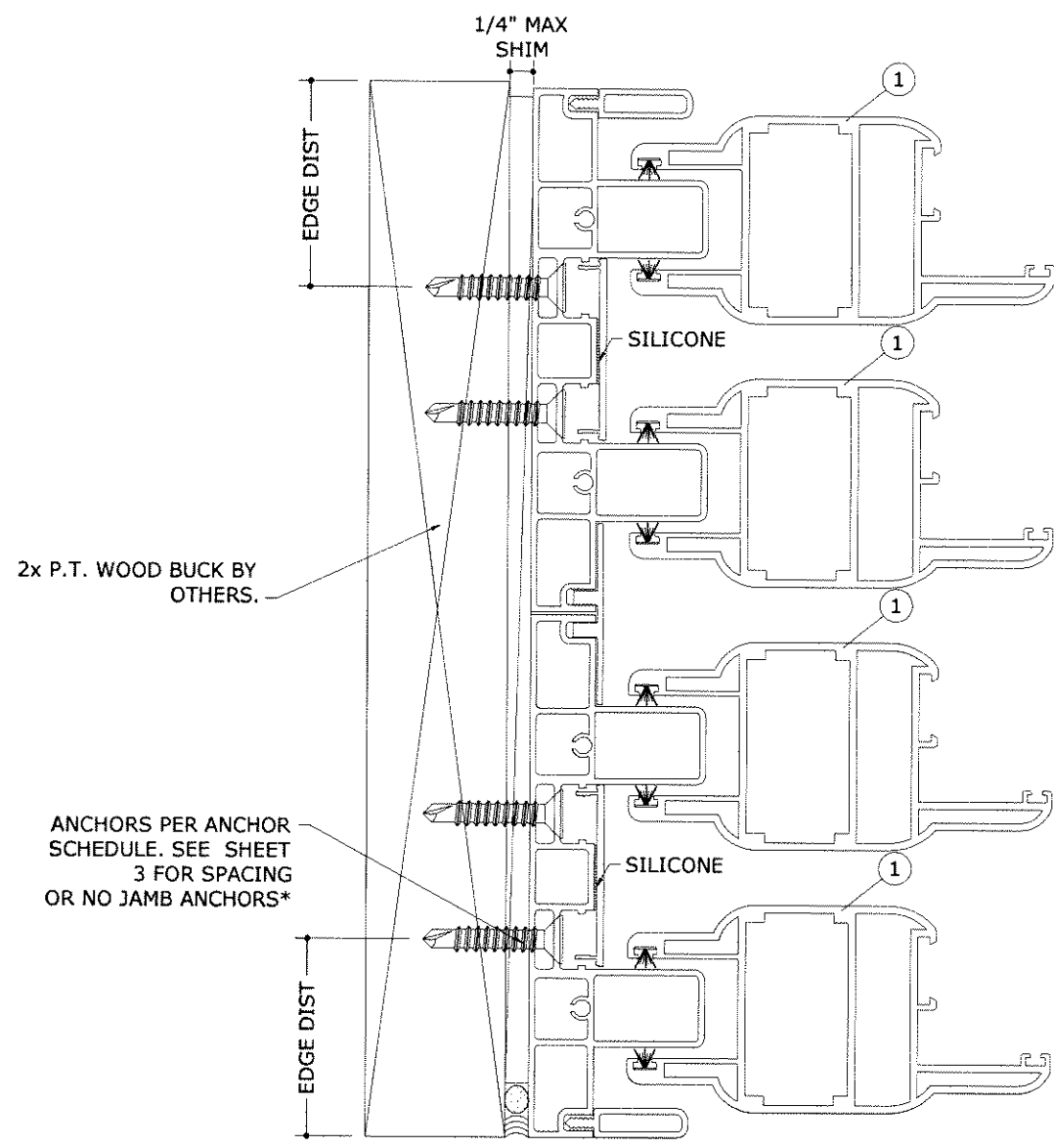
THIS DOCUMENT IS THE PROPERTY OF ENGINEERING EXPRESS, AND SHALL NOT BE REPRODUCED IN WHOLE OR PART WITHOUT WRITTEN CONSENT OF ENGINEERING EXPRESS. ALTERATIONS, ADDITIONS, OR OTHER MARKINGS TO THIS DOCUMENT ARE NOT PERMITTED AND INVALIDATE OUR CERTIFICATION.

COPYRIGHT ENGINEERING EXPRESS ©
15-2257
SCALE: N.T.S.
21 of 28



METAL STRUCTURES
(STEEL OR ALUM. 1/8"
MIN. THICK)
STEEL: Fy= 36 KSI MIN.
ALUMINUM: 6063-T5
MIN.

ANCHORS PER ANCHOR
SCHEDULE. SEE SHEET
3 FOR SPACING
OR NO JAMB ANCHORS*



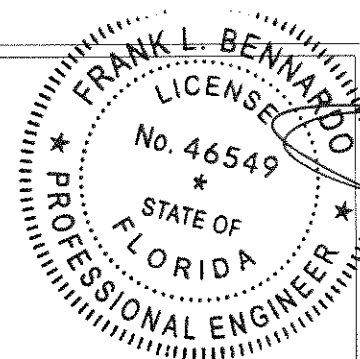
2x P.T. WOOD BUCK BY
OTHERS.

ANCHORS PER ANCHOR
SCHEDULE. SEE SHEET
3 FOR SPACING
OR NO JAMB ANCHORS*

* SEALANT ON JAMBS WITH NO ANCHORS
SHALL BE DESIGNED BY OTHERS.

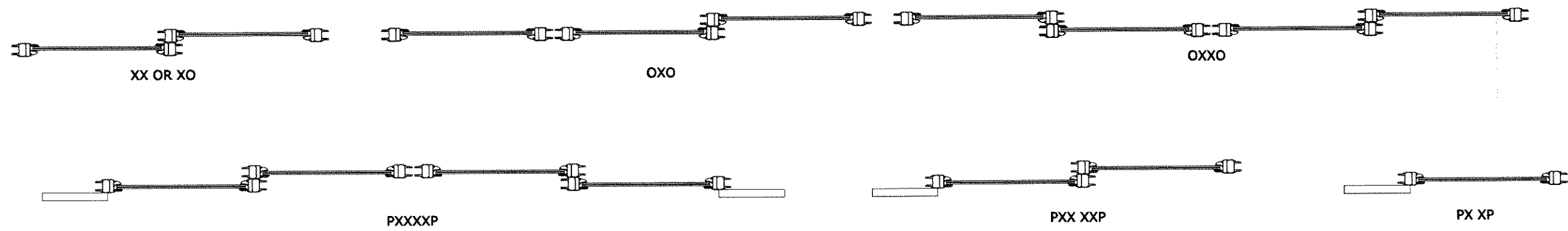
NOTE:
EXTRUSIONS NOT TO SCALE.

TRACK CONFIGURATION

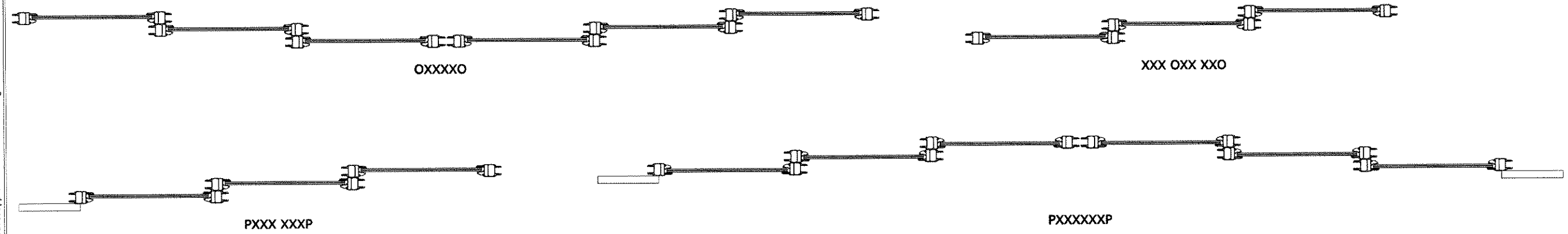


FRANK L. BENNARDO, P.E.
PE# 0046549
04/20/2016
IF DECIDED, CERTIFYING P.E. APPEARS ON GENERAL NOTES

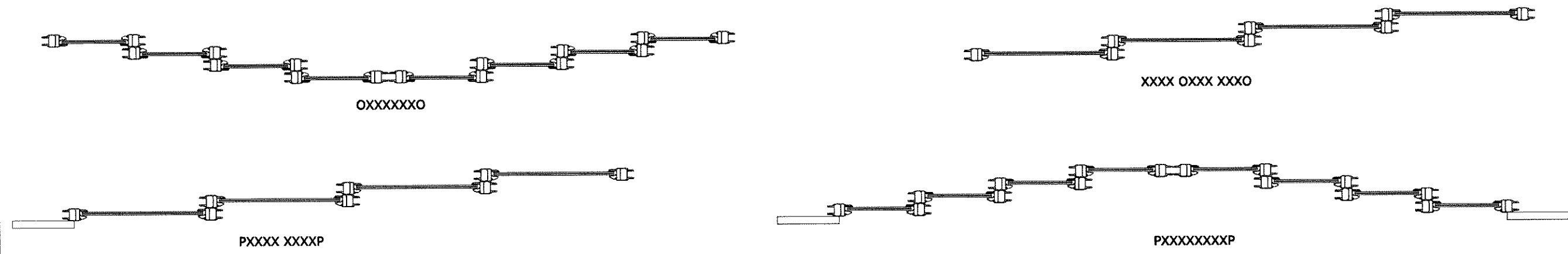
2 TRACK CONFIGURATIONS



3 TRACK CONFIGURATIONS



4 TRACK CONFIGURATIONS



NOTE: OTHER CUSTOM CONFIGURATIONS WITH UNLIMITED DOORS ALLOWED UNDER SITE SPECIFIC CONDITIONS.

"X" = MOVABLE PANEL
"O" = FIXED PANEL
"P" = POCKET

VALID FOR 1 PERMIT ONLY U.N.O.
VALID ONLY WITH ORIGINAL ENGINEER SEAL

ENGINEERING EXPRESS
CORPORATE OFFICE:
160 SW 12th AVE, SUITE 106
DEERFIELD BEACH, FL 33442
P: (954) 354-0660 F: (954) 354-0443
E: HELLO@ENGINEERINGEXPRESS.COM
ENGINEERINGEXPRESS.COM
CERT OF AUTH #9885

LA FINESTRA, LC
2790 NW 104TH COURT
DORAL, FL
(305) 599-8093

FLORIDA PRODUCT APPROVAL (2) DOORS
2790 NW 104TH COURT, MIAMI, FL
FBC 5TH EDITION (2014) PRODUCT APPROVAL #, FL

DRWN	CHKD	DATE
JEM	AJP	12/16/15

REMARKS

INIT ISSUE

THIS DOCUMENT IS THE PROPERTY OF ENGINEERING EXPRESS AND SHALL NOT BE REPRODUCED IN WHOLE OR PART WITHOUT WRITTEN CONSENT OF ENGINEERING EXPRESS. ALTERATIONS, ADDITIONS, OR OTHER MARKINGS TO THIS DOCUMENT ARE NOT PERMITTED AND INVALIDATE OUR CERTIFICATION.

COPYRIGHT ENGINEERING EXPRESS ©
15-2257
SCALE: N.T.S.

C:\Users\joem\appdata\local\temp\AcPublish_10044115-2257_02c Product approval - 2nd submittal.dwg joem 04/20/2016 - 4:41pm

FRAME ASSEMBLY

PART #0410 BY MONTICELLI

SCREW PART # 10A

PART #5003 BY MONTICELLI

SCREW PART # 10A

APPLY SEALANT ON ALL FRAME JOINTS (TYP.)

SLIDING DOOR FRAME ASSEMBLY (TOP)

#10x 4 PHILLIPS FH SMS SCREWS

APPLY PECORA 895 STRUCTURAL SEALANT ON ALL FRAME JOINTS (TYP.)

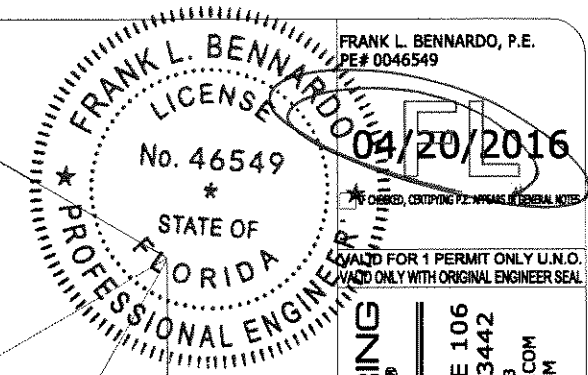
NOTCH THRESHOLD TO ALLOW INSTALLATION OF VERTICAL FRAME (JAMB).

APPLY SEALANT ON ALL FRAME JOINTS (TYP.)

SLIDING DOOR PANEL ASSEMBLY (TYP.)

SLIDING DOOR FRAME ASSEMBLY (BOTTOM)

NOTE: EXTRUSIONS NOT TO SCALE.



ENGINEERING EXPRESS
 CORPORATE OFFICE:
 160 SW 12th AVE, SUITE 106
 DEERFIELD BEACH, FL 33442
 P: (954) 354-0660 F: (954) 354-0443
 E: HELLO@ENGINEERINGEXPRESS.COM
 ENGINEERINGEXPRESS.COM
 CERT OF AUTH #9885

LA FINESTRA, LC
 2790 NW 104TH COURT
 DORAL, FL
 (305) 599-8093
 FLORIDA PRODUCT APPROVAL (2) DOORS
 2790 NW 104TH COURT, MIAMI, FL
 FLORIDA PRODUCT APPROVAL (2014) PRODUCT APPROVAL #, FL

DRWN	CHKD	DATE
JEM	AJP	12/16/15

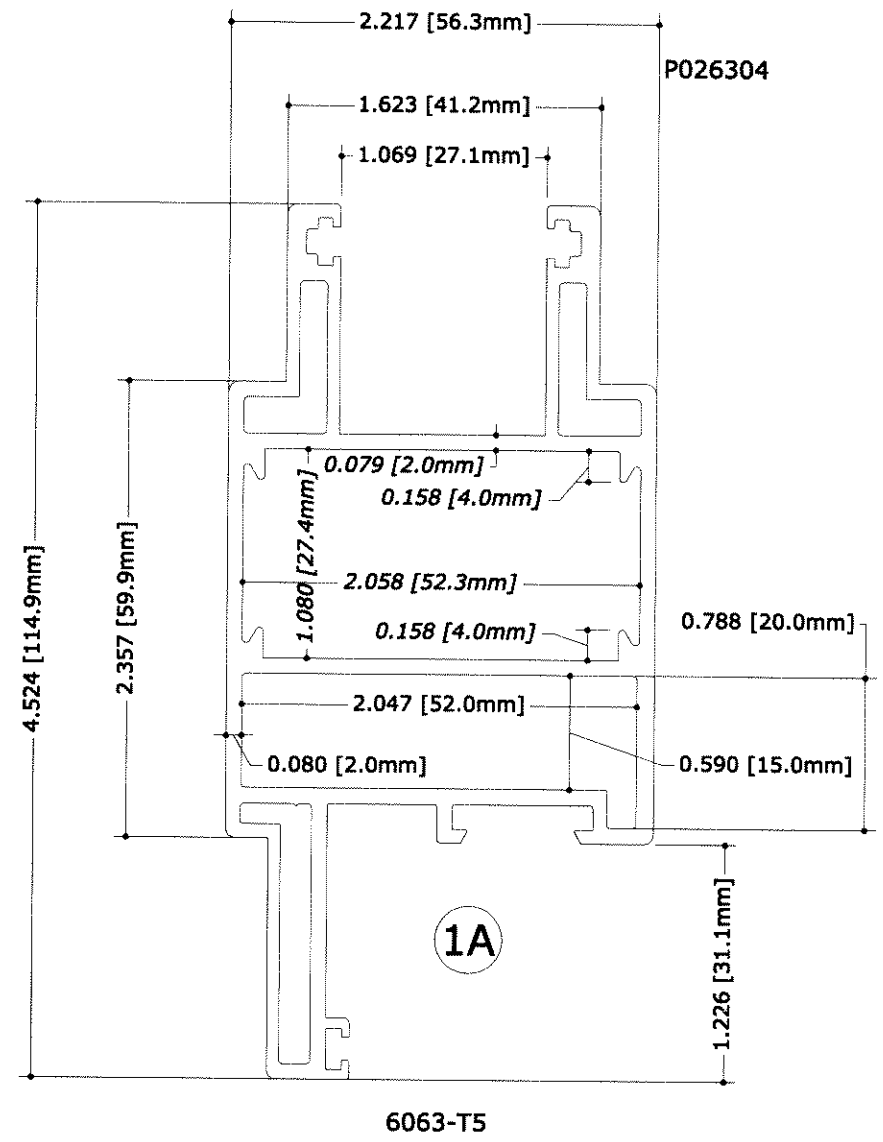
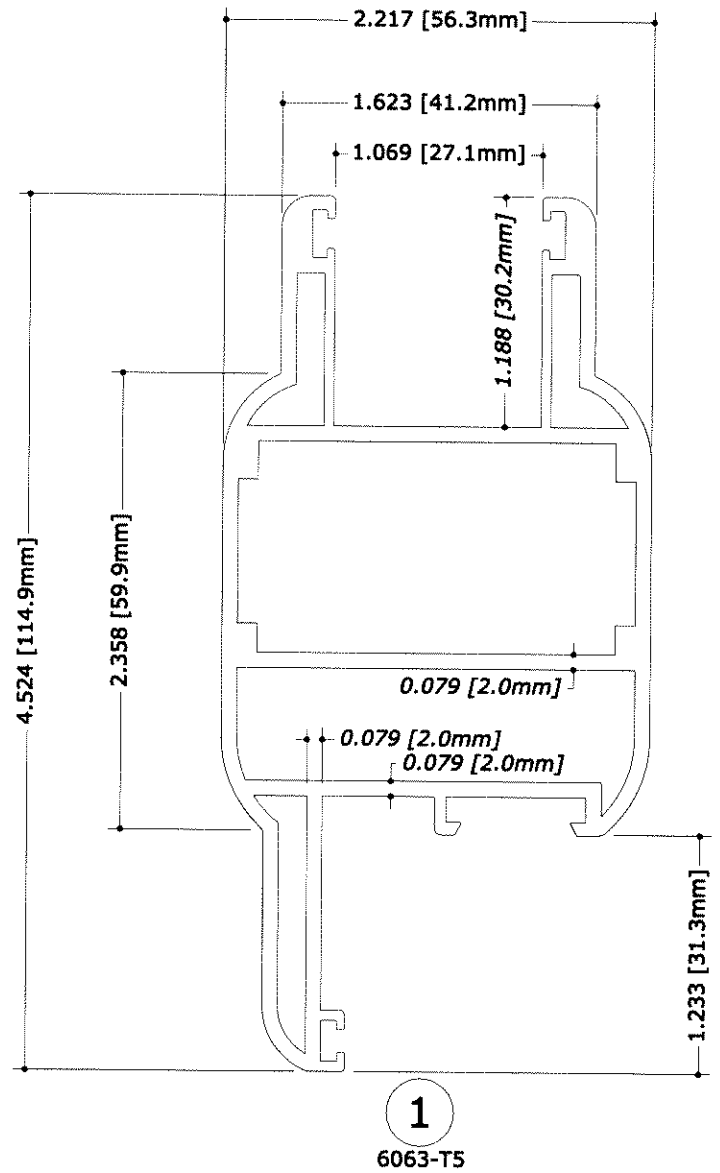
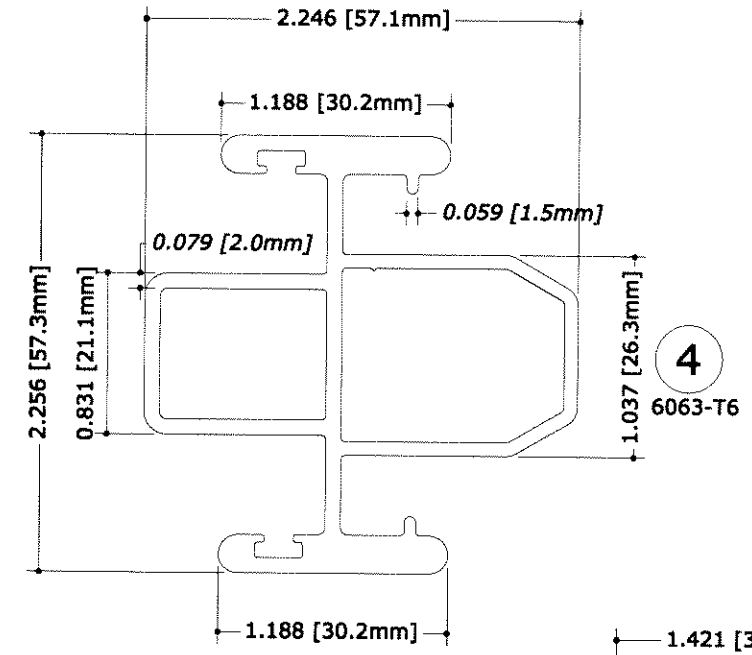
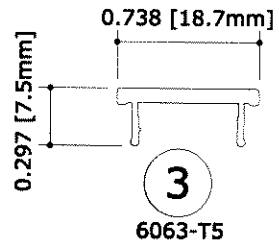
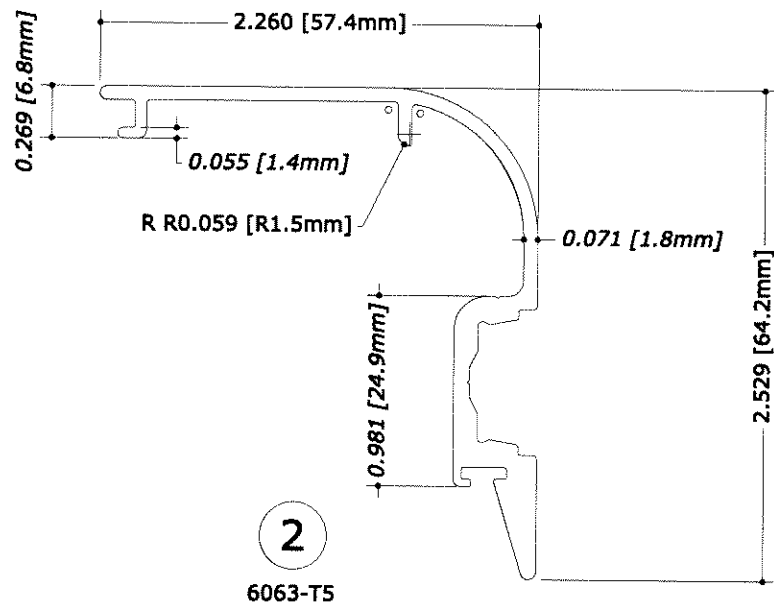
REMARKS
 INIT ISSUE

THIS DOCUMENT IS THE PROPERTY OF ENGINEERING EXPRESS, AND SHALL NOT BE REPRODUCED IN WHOLE OR PART WITHOUT WRITTEN CONSENT OF ENGINEERING EXPRESS. ALTERATIONS, ADDITIONS, OR OTHER MARKINGS TO THIS DOCUMENT ARE NOT PERMITTED AND INVALIDATE OUR CERTIFICATION.

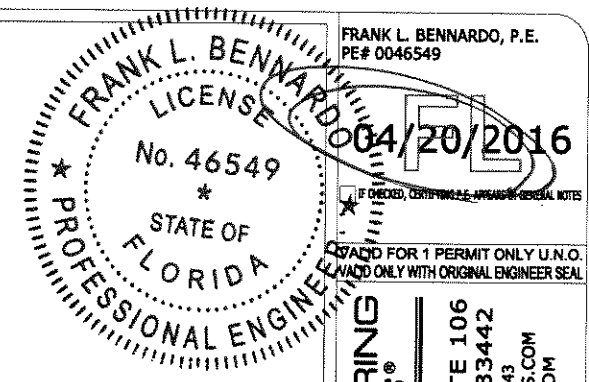
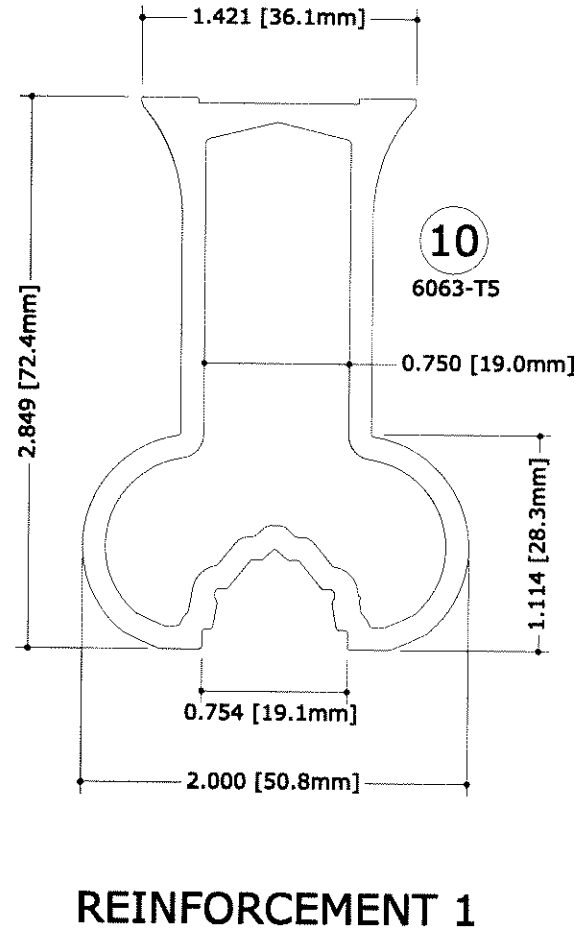
COPYRIGHT ENGINEERING EXPRESS ©
15-2257
 SCALE: N.T.S.

C:\Users\joem\appdata\local\temp\AcPublish_10044115-2257_02c Product approval - 2nd submittal.dwg joem 04/20/2016 - 4:41pm

EXTRUSIONS



P026304



FRANK L. BENNARDO, P.E.
PE# 0046549

ENGINEERING EXPRESS
CORPORATE OFFICE:
160 SW 12th AVE, SUITE 106
DEERFIELD BEACH, FL 33442
P: (954) 354-0660 F: (954) 354-0443
E: HELLO@ENGINEERINGEXPRESS.COM
ENGINEERINGEXPRESS.COM
CERT OF AUTH #9885

LA FINESTRA, LC
2790 NW 104TH COURT
DORAL, FL
(305) 599-8093
FLORIDA PRODUCT APPROVAL (2) DOORS
2790 NW 104TH COURT, MIAMI, FL
FBC 5TH EDITION (2014) PRODUCT APPROVAL #, FL

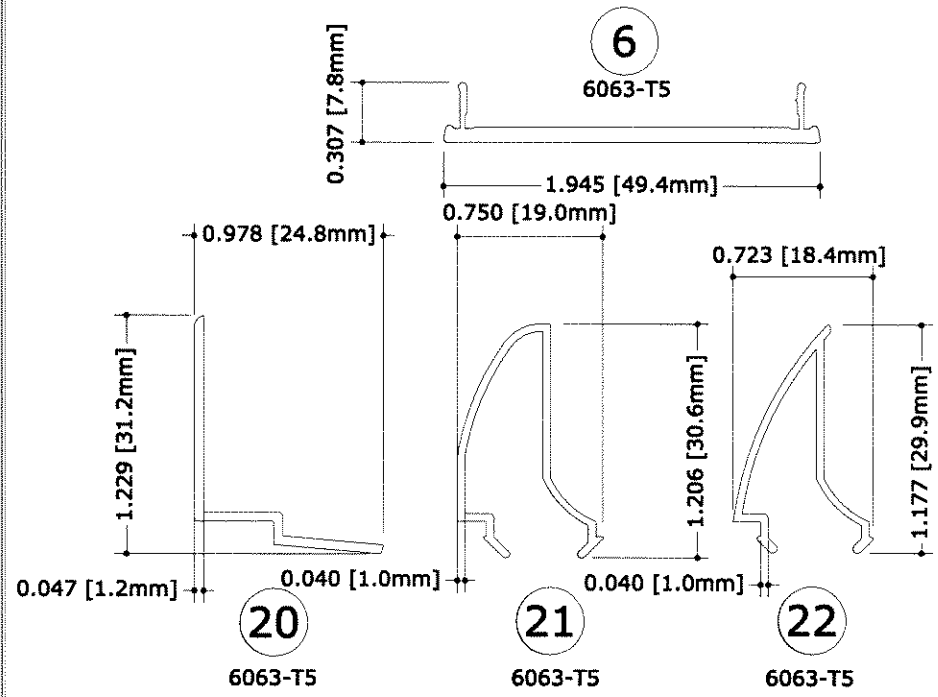
REMARKS	INIT	CHKD	DATE
	JEM	AJP	12/18/15

THIS DOCUMENT IS THE PROPERTY OF ENGINEERING EXPRESS AND SHALL NOT BE REPRODUCED IN WHOLE OR PART WITHOUT WRITTEN CONSENT OF ENGINEERING EXPRESS. ALTERATIONS, ADDITIONS, OR OTHER MARKINGS TO THIS DOCUMENT ARE NOT PERMITTED AND INVALIDATE OUR CERTIFICATION.

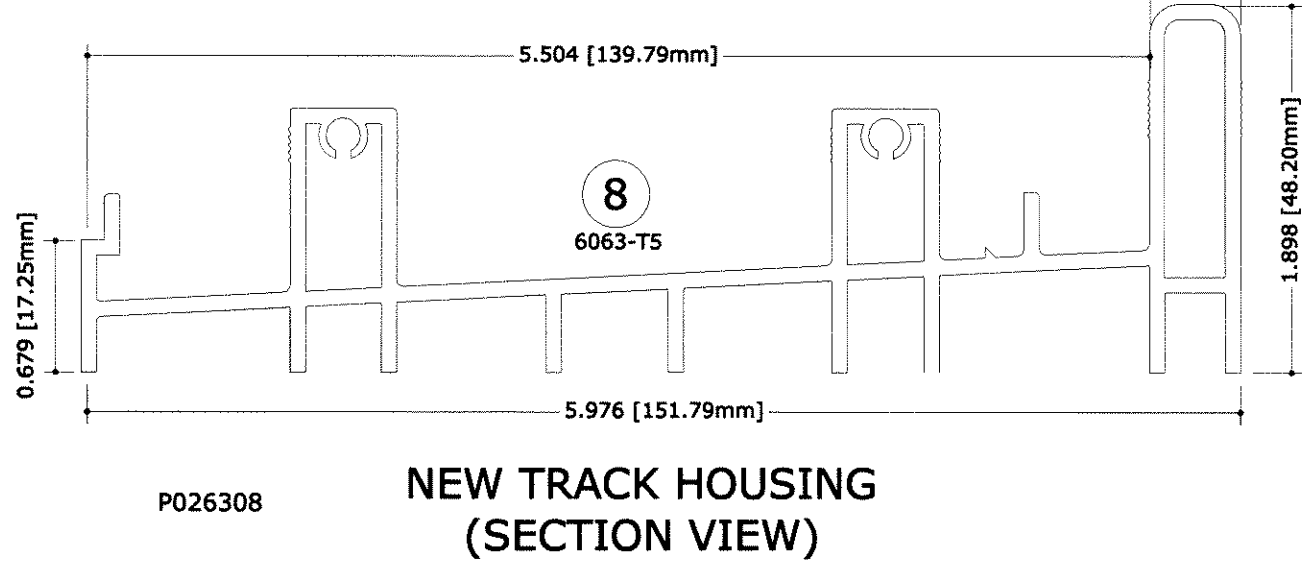
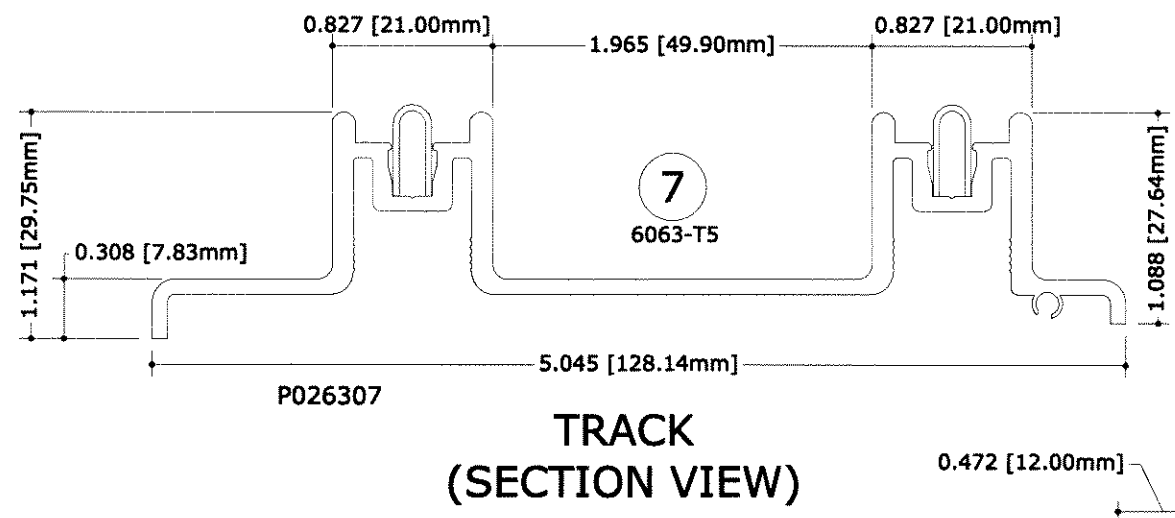
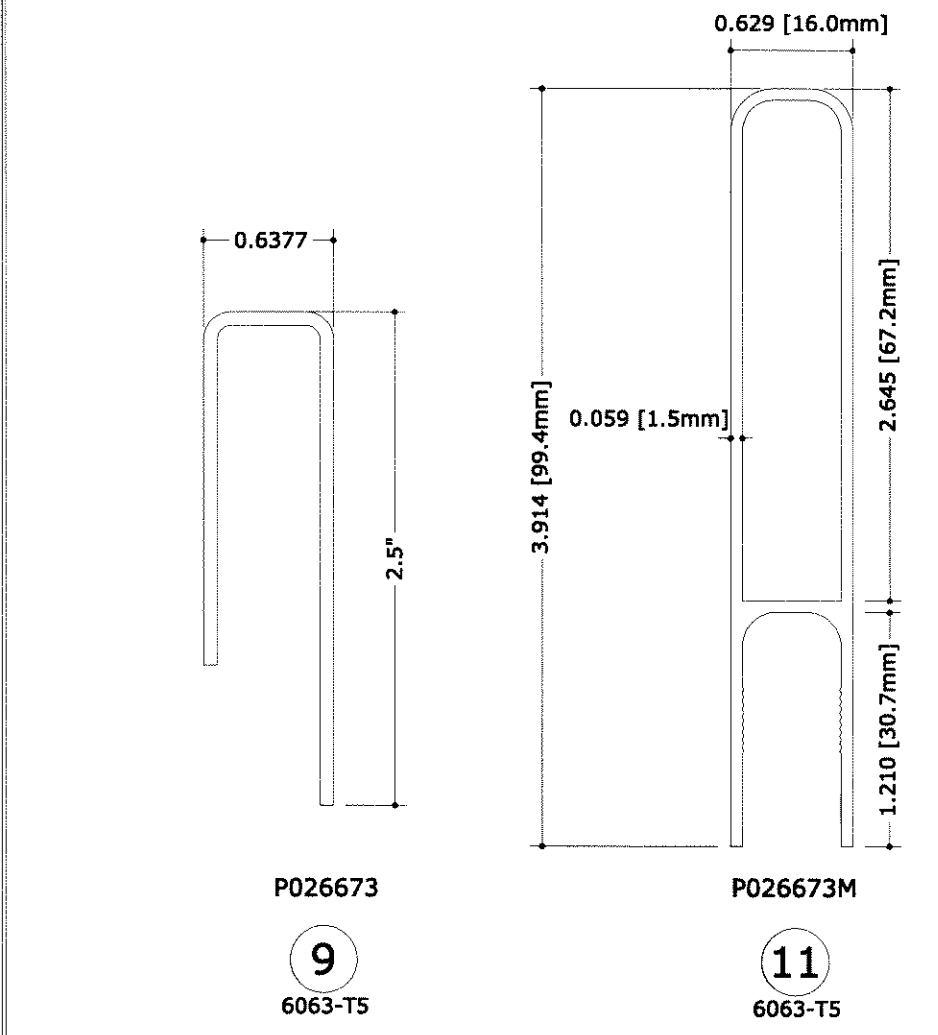
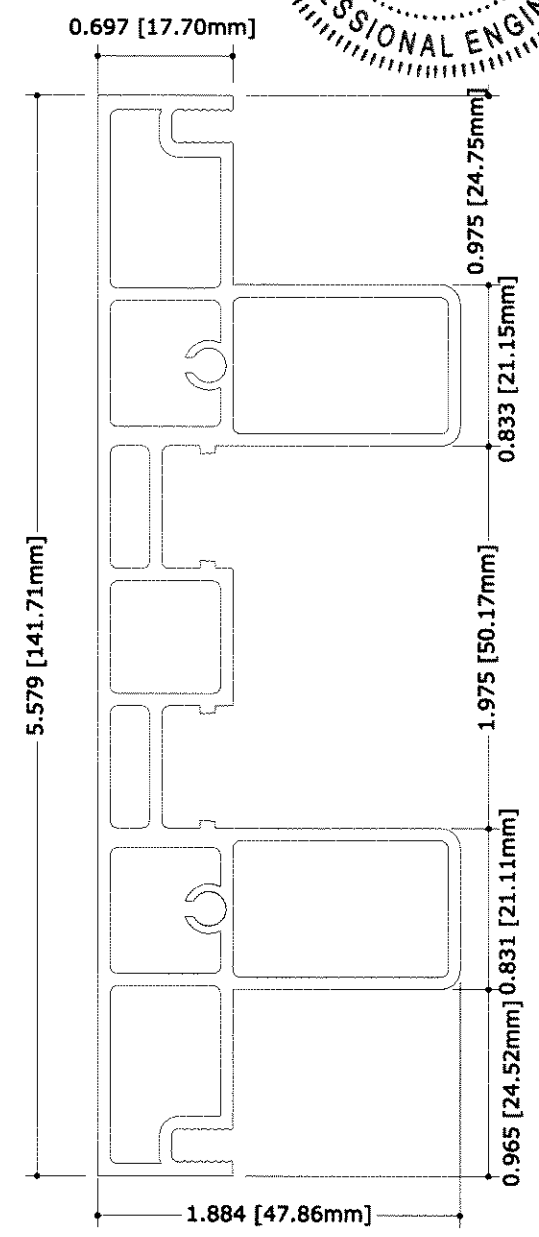
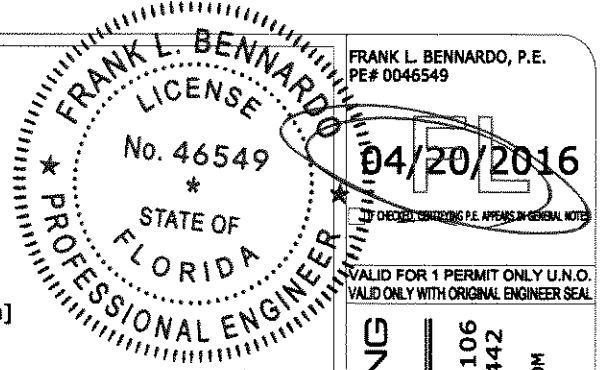
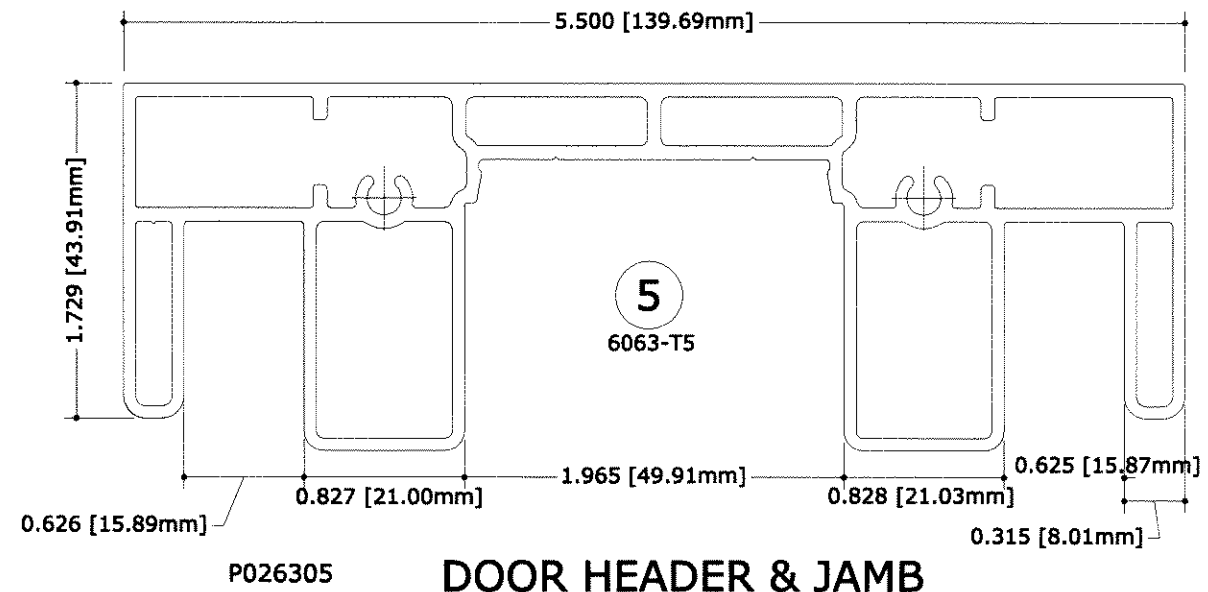
COPYRIGHT ENGINEERING EXPRESS®
15-2257
SCALE: N.T.S.

C:\Users\joem\appdata\local\temp\AcPublish_10044115-2257_02c Product approval - 2nd submittal.dwg

C:\Users\joem\appdata\local\temp\AcPublish_1004415-2257_02c Product approval - 2nd submittal.dwg
 joem
 04/20/2016 - 4:41pm



EXTRUSIONS



ENGINEERING EXPRESS
 CORPORATE OFFICE:
 160 SW 12th AVE, SUITE 106
 DEERFIELD BEACH, FL 33442
 P: (954) 354-0660 F: (954) 354-0443
 E: HELLO@ENGINEERINGEXPRESS.COM
 ENGINEERINGEXPRESS.COM
 CERT OF AUTH # 9885

LA FINESTRA, LC
 2790 NW 104TH COURT
 DORAL, FL
 (305) 599-8093
 FLORIDA PRODUCT APPROVAL (2) DOORS
 2790 NW 104TH COURT, MIAMI, FL
 FBC 5TH EDITION (2014) PRODUCT APPROVAL #, FL

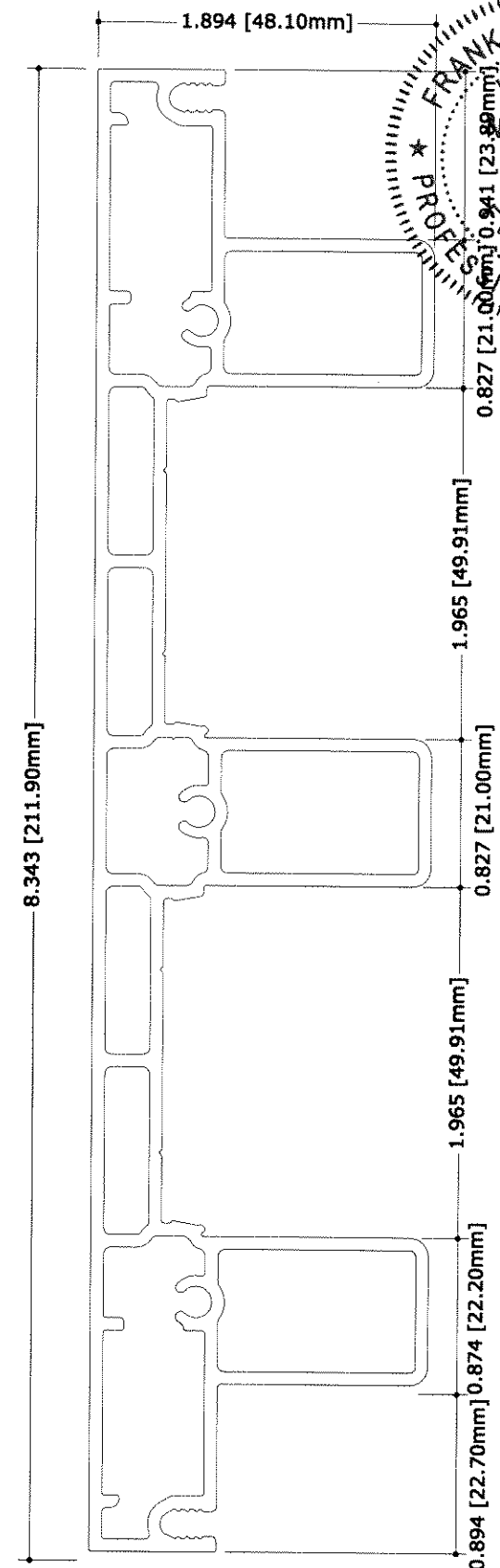
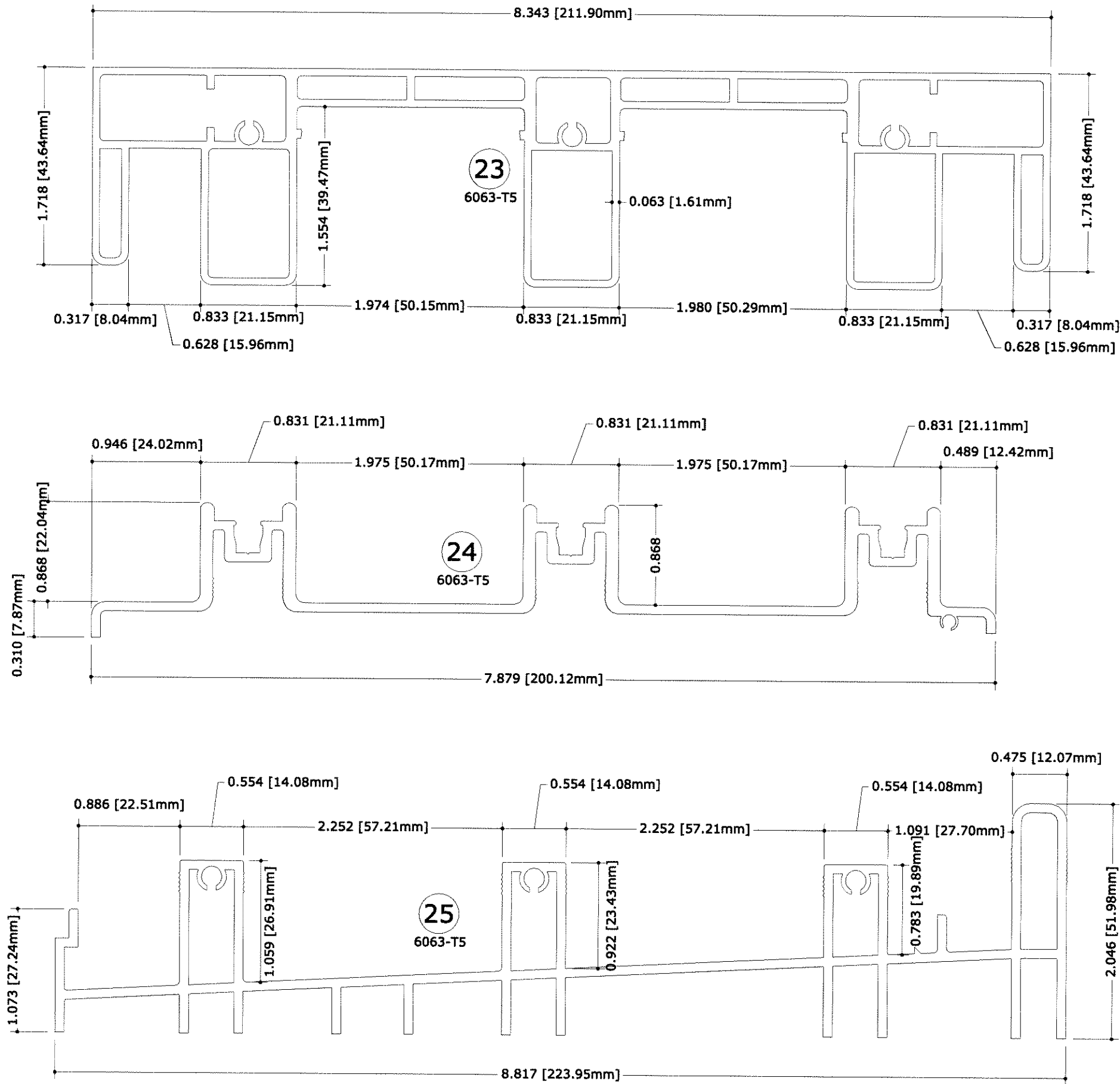
REMARKS	DATE
INIT ISSUE	12/16/15
DRWN	
CHKD	
JEM	
AJP	

THIS DOCUMENT IS THE PROPERTY OF ENGINEERING EXPRESS AND SHALL NOT BE REPRODUCED IN WHOLE OR PART WITHOUT WRITTEN CONSENT OF ENGINEERING EXPRESS. ALTERATIONS, ADDITIONS, OR OTHER MARKINGS TO THIS DOCUMENT ARE NOT PERMITTED AND INVALIDATE OUR CERTIFICATION.

COPYRIGHT ENGINEERING EXPRESS ©

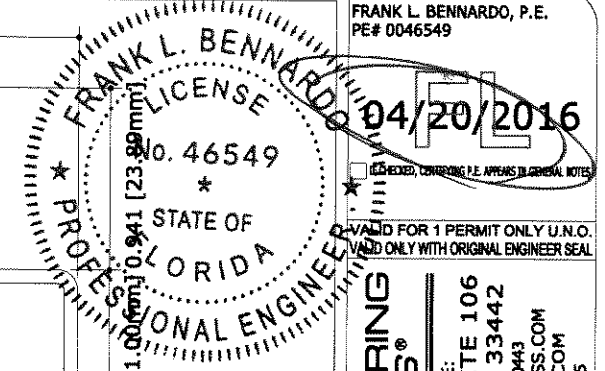
15-2257
 SCALE: N.T.S.
 25

EXTRUSIONS



ALTERNATE
DOOR HEADER & JAMB
FRAME

23A
6063-T5



FRANK L. BENNARDO, P.E.
PE# 0046549

VALID FOR 1 PERMIT ONLY U.N.O.
VOID ONLY WITH ORIGINAL ENGINEER SEAL

ENGINEERING EXPRESS
CORPORATE OFFICE:
160 SW 12th AVE, SUITE 106
DEERFIELD BEACH, FL 33442
P: (954) 354-0660 F: (954) 354-0443
E: HELLO@ENGINEERINGEXPRESS.COM
ENGINEERINGEXPRESS.COM
CERT OF AUTH #9885

LA FINESTRA, LC
2790 NW 104TH COURT
DORAL, FL
(305) 599-8093

FLORIDA PRODUCT APPROVAL (2) DOORS
2790 NW 104TH COURT, MIAMI, FL
FBC 5TH EDITION (2014) PRODUCT APPROVAL #, FL

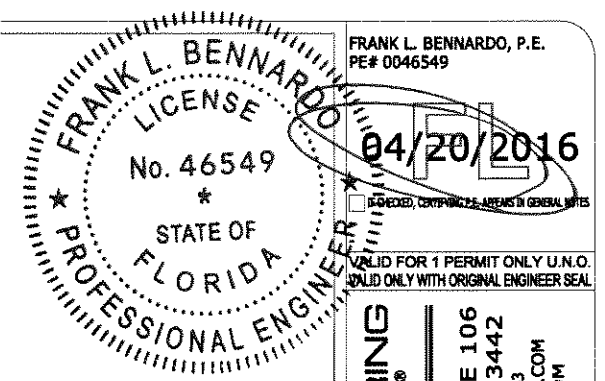
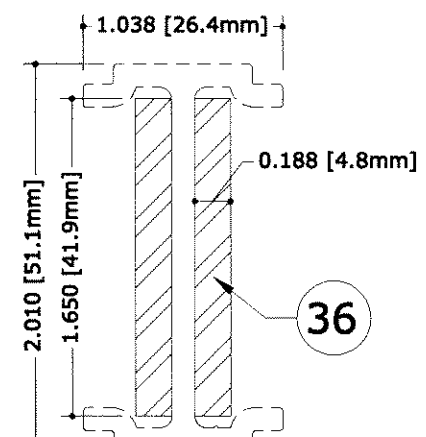
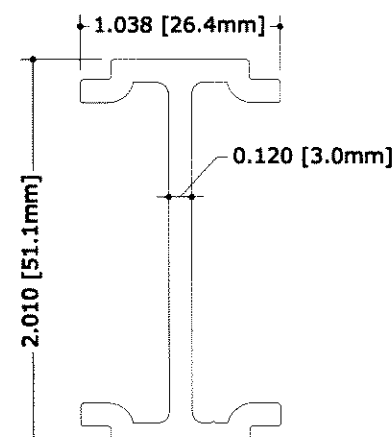
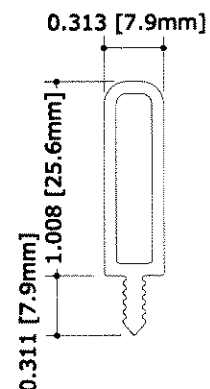
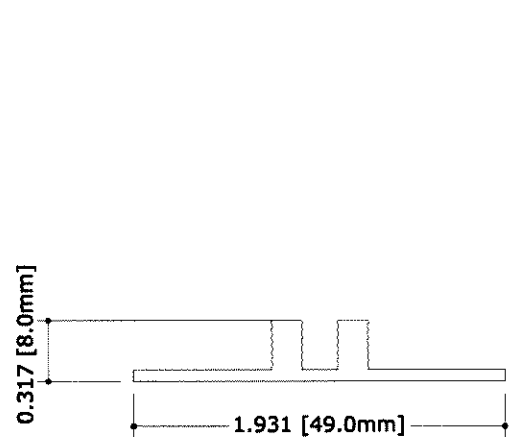
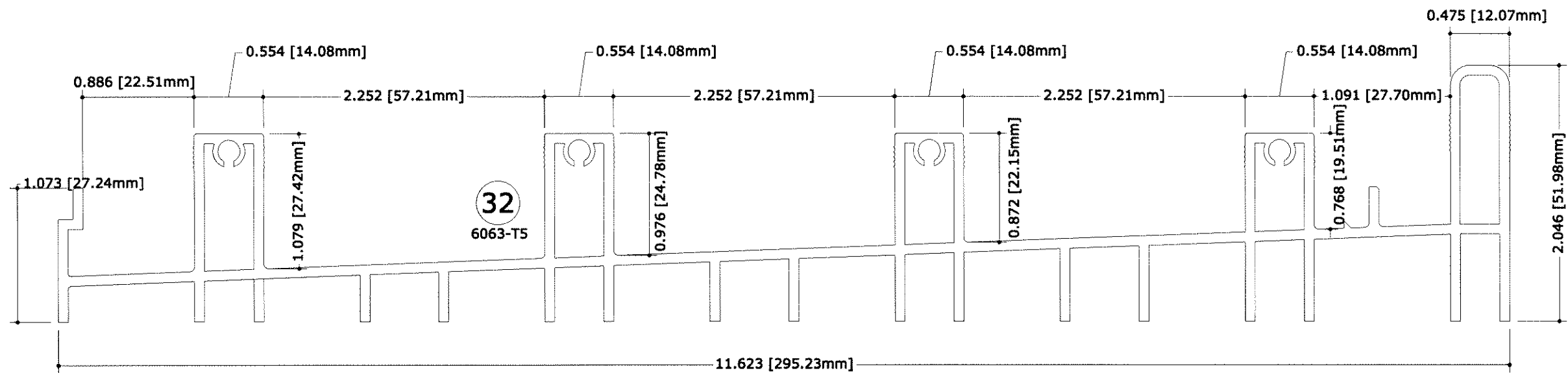
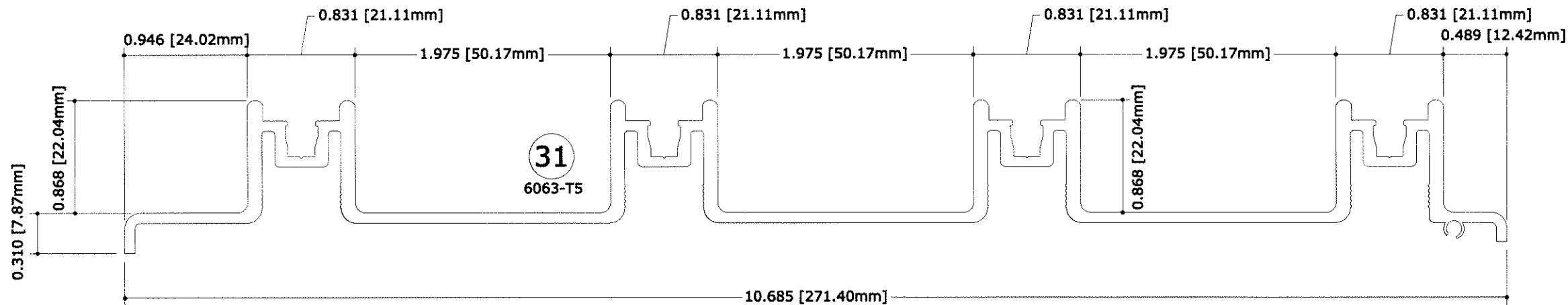
REMARKS	INIT	ISSUE	DRWN	CHKD	DATE
	JEM		AJP		12/16/15

THIS DOCUMENT IS THE PROPERTY OF ENGINEERING EXPRESS, AND SHALL NOT BE REPRODUCED IN WHOLE OR PART WITHOUT WRITTEN CONSENT OF ENGINEERING EXPRESS. ALTERATIONS, ADDITIONS, OR OTHER MARKINGS TO THIS DOCUMENT ARE NOT PERMITTED AND INVALIDATE OUR CERTIFICATION.

COPYRIGHT ENGINEERING EXPRESS ©
15-2257
SCALE: N.T.S.

26

EXTRUSIONS



ENGINEERING EXPRESS
CORPORATE OFFICE:
160 SW 12th AVE, SUITE 106
DEERFIELD BEACH, FL 33442
P: (954) 354-0660 F: (954) 354-0443
E: HELLO@ENGINEERINGEXPRESS.COM
ENGINEERINGEXPRESS.COM
CERT OF AUTH #9885

LA FINESTRA, LC
2790 NW 104TH COURT
DORAL, FL
(305) 599-8093
FLORIDA PRODUCT APPROVAL (2) DOORS
2790 NW 104TH COURT, MIAMI, FL
FBC 5TH EDITION (2014) PRODUCT APPROVAL #, FL

REMARKS	DRWN	CHKD	DATE
INIT ISSUE	JEM	AJP	12/18/15

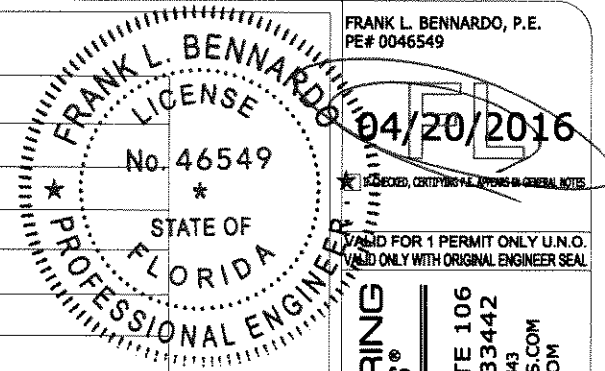
THIS DOCUMENT IS THE PROPERTY OF ENGINEERING EXPRESS. ANY REUSE OR REPRODUCTION OF THIS DOCUMENT WITHOUT WRITTEN CONSENT OF ENGINEERING EXPRESS, ALTERATIONS, ADDITIONS, OR OTHER MARKINGS TO THIS DOCUMENT ARE NOT PERMITTED AND INVALIDATE OUR CERTIFICATION.

15-2257
SCALE: N.T.S.
27

V:\Projects\15-2257 Florida Product Approval (2) Doors\Sliding Glass Door 2nd Submittal\Drawings\Product Approval - 2nd submittal.dwg
joem
04/20/2016 - 5:50pm

V:\Projects\15-2257 Florida Product Approval (2) Doors\Sliding Glass Door 2nd Submittal\Drawings\Product approval - 2nd submittal.dwg joem 04/20/2016 - 5:06pm

	PART #	DESCRIPTION	MATERIAL	REMARKS
1	P026301	SASH - MOBIL PANEL	6063-T5	GRUPPO PROFILATI
1A	P026301-SHARP	SASH - MOBIL PANEL	6063-T5	GRUPPO PROFILATI
2	P026302	JOINT - SASH JOINT	6063-T5	GRUPPO PROFILATI
3	P026303	CAP - SMALL COVER FOR SASH JT.	6063-T5	GRUPPO PROFILATI
4	P026304	CENTRAL MEETING ASTRAGAL	6063-T6	GRUPPO PROFILATI
5	P026305	FRAME - JAMB/HEAD	6063-T5	GRUPPO PROFILATI
5A	-	ALTERNATE FRAME - JAMB/HEAD	6063-T5	GRUPPO PROFILATI
6	P026306	COVER - LG COVER FOR FRAME	6063-T5	GRUPPO PROFILATI
7	P026307	TRACK COVER FOR BASE TRACK	6063-T5	GRUPPO PROFILATI
8	P026308	TRACK BASE (THRESHOLD)	6063-T5	GRUPPO PROFILATI
9	P026673	SILL RISER 65 MM (2.55")	6063-T5	GRUPPO PROFILATI
10	P026674	SASH REINFORCEMENT	6063-T5	GRUPPO PROFILATI
11	P026673 MODIFIED	SILL RISER 65 MM (4")	6063-T5	GRUPPO PROFILATI
12	5003	CORNER KEY FOR SASH	TBD ?	BY MONTICELLI
13	0410	CORNER KEY FOR FRAME	TBD ?	BY MONTICELLI OR EQUAL
14	TA.81.1981.PRN.212.WSS	TANDEM ROLLER ITEM	S.S.	BY AMESBURY-
15	TA.81.1981.PRN.21.WN	TANDEM ROLLER ITEM	S.S.	BY AMESBURY
16	SS.ADH.3006.84	LOCK - SLIDING DOOR LOCK	S.S.	BY AMESBURY
17	SS.ADH.3021.84	KEEPER	S.S.	BY AMESBURY
18	ULTRA FAB	WEATHER SEAL - TRIFIN	WEATHERING	BY TRIFIN
19	PECORA 895	SILICON FOR GLAZING	SILCONE	BY PECORA
20	P026309	INSULATED GLASS BEAD	6063-T5	GRUPPO PROFILATI
21	P026310	LAMINATED GLASS BEAD	6063-T5	GRUPPO PROFILATI
22	P026310 ALTERNATE	LAMINATED GLASS BEAD	6063-T5	GRUPPO PROFILATI
23	P026305-MOD	3-TRACK (HEAD/JAMB)	6063-T5	GRUPPO PROFILATI
23A	-	ALTERNATE 3-TRACK (HEAD/JAMB)	6063-T5	GRUPPO PROFILATI
24	P026307-MOD	3-TRACK SILL COVER	6063-T5	GRUPPO PROFILATI
25	P026308-MOD	3-TRACK SILL BASE	6063-T5	GRUPPO PROFILATI
26	-	2"x2" 40 PPI FOAM	FOAM	AT ENDS & 6" FROM ENDS & 12" O.C. MAX - BALANCE
27	-	2 3/4"x1" 40 PPI FOAM	FOAM	ON ONE SIDE OF WEEP HOLE
28	-	2 3/4"x1/2" 40 PPI FOAM	FOAM	ON OPP. SIDE OF #26
29	-	2"x4" DUST PLUG	-	ULTRAFAB (UNDER EACH INTERLOCK AND LOCKSTILE)
30	-	DOOR HANDLE	-	-
31	-	4-TRACK SILL COVER	6063-T5	GRUPPO PROFILATI
32	-	4-TRACK SILL BASE	6063-T5	GRUPPO PROFILATI
33	-	4-TRACK FRAME ADAPTOR	6063-T5	GRUPPO PROFILATI
34	-	DOOR FRAME STOP	6063-T5	GRUPPO PROFILATI
35	-	ALUMINUM REINFORCEMENT	6063-T5	
36	-	STEEL REINFORCEMENT ADD-ON	A-36	(2) 1.65"x 0.188" STEEL REINFORCEMENT BARS



FRANK L. BENNARDO, P.E.
PE# 0046549

ENGINEERING EXPRESS®
CORPORATE OFFICE:
160 SW 12th AVE, SUITE 106
DEERFIELD BEACH, FL 33442
P: (954) 354-0660 F: (954) 354-0443
E: HELLO@ENGINEERINGEXPRESS.COM
ENGINEERINGEXPRESS.COM
CERT OF AUTH #9885

LA FINESTRA, LC
2790 NW 104TH COURT
DORAL, FL
(305) 599-8093

FLORIDA PRODUCT APPROVAL (2) DOORS
2790 NW 104TH COURT, MIAMI, FL
FBC 5TH EDITION (2014) PRODUCT APPROVAL #, FL

REMARKS	INIT	ISSUE	DATE
			12/18/15

THIS DOCUMENT IS THE PROPERTY OF ENGINEERING EXPRESS, AND SHALL NOT BE REPRODUCED IN WHOLE OR PART WITHOUT WRITTEN CONSENT OF ENGINEERING EXPRESS. ALTERATIONS, ADDITIONS, OR OTHER MARKINGS TO THIS DOCUMENT ARE NOT PERMITTED AND INVALIDATE OUR CERTIFICATION.

COPYRIGHT ENGINEERING EXPRESS®
15-2257
SCALE: N.T.S.
28